

SCHNEIDER

Built-in and freestanding
electrical appliances



* The prices indicated are provided for information only. Each distributor must set their own prices. The Group reserves the right to modify the products described in this document at any time and without prior notice. This document is non-contractual.

OVENS & COMPACT APPLIANCES

	p.10
Pyrolytic & catalytic ovens	p.13
Steam oven	p.21
Combination microwave ovens and microwaves	p.24
Warming drawer	p.28

EXTRACTOR HOB

p.30

COOKING HOBS

	p.38
Induction hobs	p.41
Gas hobs	p.48
Glass-ceramic/electric hobs	p.52

EXTRACTION HOODS

	p.54
Decorative wall-mounted hoods	p.58
Island hoods	p.62
Telescopic hoods	p.63
Filter units	p.64
Canopy hoods	p.65

DISHWASHERS

p.66

WASHING MACHINES

p.78

COOLING APPLIANCES

	p.84
Built-in refrigerators	p.92
Free-standing refrigerators	p.102

WINE CELLARS

p.140

TECHNICAL TABLES

p.148

SCHNEIDER

OFFICIAL BRAND

TOP 14

RUGBY



A COMMITMENT BASED ON SHARED VALUES

Schneider is the official brand of the TOP 14, the French rugby championship and one of the most renowned sports competitions in the world. We share the strong values of exceeding expectations, team spirit and a passion for doing things well.

AT THE HEART OF THE ACTION



Interactions with players, product placement in stadiums, events during the TOP 14 Rugby Tour, signed limited series, etc. Schneider is right at the heart of the action and is helping to raise the profile of this increasingly popular sport

A TOP-CLASS AMBASSADOR

Julien Duboué, a former contestant on Top Chef, is Schneider's new ambassador. Originally from the South-West and an entrepreneur committed to defending good products, he shares his passions with Schneider: rugby and creative and gourmet cuisine.

JOIN THE SCHNEIDER RUGBY CLUB !

Follow the action with Schneider all season long, via our social media pages:

 [schneiderconsumer](#)  [schneiderfrance](#)  [Schneider Rugby Club](#)



A NEW ENERGY LABEL COMES INTO FORCE ON 1 MARCH 2021

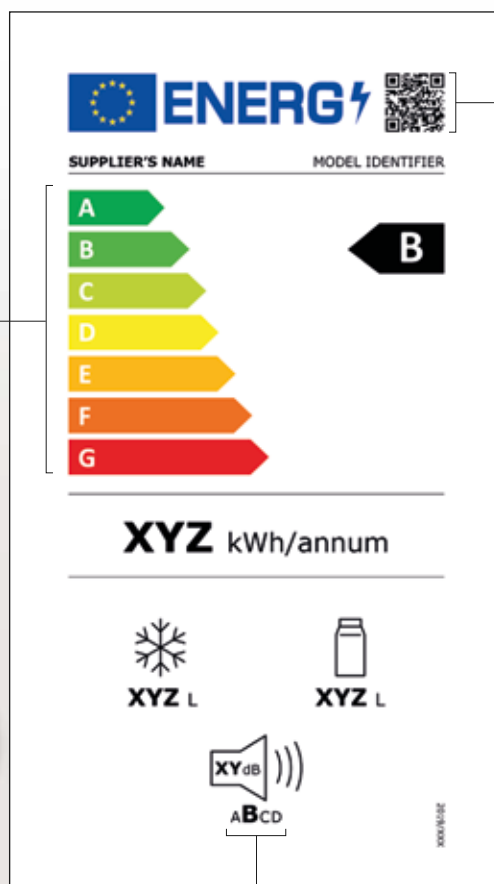
Energy labels have been adapted in line with the progress made in energy efficiency in recent years, in order to improve readability and accuracy and to meet new requirements.

MAJOR CHANGES

affecting all product families:

1

The energy efficiency classes scale from A to G: classes A+++, A++ and A+ have been discontinued. The energy efficiency associated with the seven classes has set new targets for manufacturers



2

Consumers can obtain information on the energy label and the product information sheet stored in EPREL, by scanning the QR code with their smartphone.

EPREL (European Product Database for Energy Labelling) is a European database created to centralise information on all the technical characteristics of products. It aims to facilitate market control and surveillance.

3

Perceived noise classes: a scale from A to D provides consumers with a better understanding of the noise levels generated by the appliance.

Products concerned and changes specific to certain product families

REFRIGERATOR



FRIDGE-FREEZER



FREEZER



WINE CELLAR



For refrigerators, fridge-freezers, freezers and wine cellars, the changes to the new energy label concern the points listed on the opposite page, which are also common to all product families affected by this change.

WASHING MACHINE



XYZ kWh /

The energy consumption indicated is for 100 cycles.

The duration of the "Eco 40-60" programme is indicated in hours and minutes.
X:YZ

The noise level in dB and the perceived airborne noise class during the spin cycle.
ABcd

DISHWASHER



XYZ kWh /

The energy consumption indicated is for 100 cycles.

The "eco" programme becomes the reference programme for determining the energy efficiency class.

The duration of the "eco" programme is indicated in hours and minutes.
X:YZ

WASHER-DRYER



XYZ kWh / **XYZ** kWh /

For both types of operation, the energy consumption is indicated for 100 cycles.

With the exception of spin performance and noise level, the energy label differentiates between two types of appliance operation:

Left side: indications for the wash and dry cycles

Right side: indications for the wash cycle.

The duration of the programmes are indicated in hours and minutes.
X:YZ

The noise level in dB and the perceived airborne noise class during the spin cycle.
ABcd

The spin performance on a scale from A to G.
ABCDEFG



INTERESTING FACT

BY 2030, THE NEW ENERGY LABEL REGULATION SHOULD SAVE:

167 TWh/year

46 MILLION TONS OF CO₂

THE ENERGY LABELS FOR OTHER PRODUCTS WILL BE REVISED IN THE NEAR FUTURE.

ENHANCE YOUR DAILY LIFE

Since 1934, Schneider has been committed to making the most cutting-edge technology accessible to all, by developing inspired and inspirational product collections.

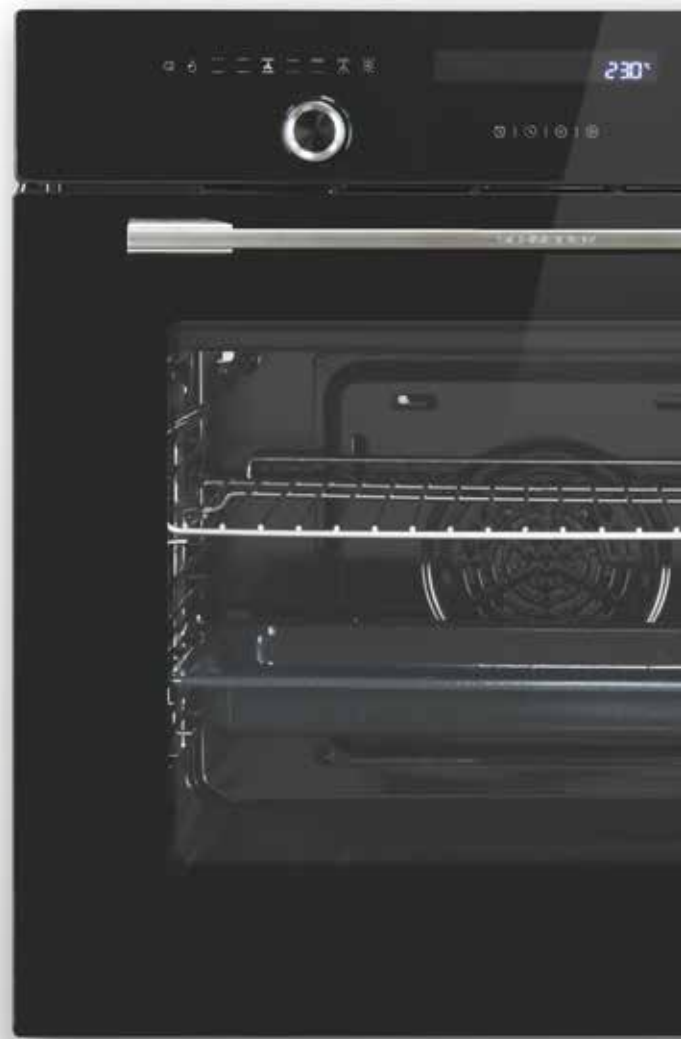
Food is stored under optimal conditions, meals are perfectly cooked, laundry is treated with a little extra-care, and much more. Our cooking, refrigeration, washing and small appliances are designed to be intuitive, efficient and eco-friendly. Whether vintage or contemporary in style, our products are more than just efficient: they add a touch of elegant style and character to your home with one goal in mind: enhancing your daily life.





OVENS







Schneider ovens offer precision cooking for the preparation of all your dishes. Easy to maintain, your oven will become your daily ally in the kitchen.





PYROLYTIC & CATALYTIC OVENS



LARGE CAPACITY TO SUIT ANY OCCASION

Schneider ovens have a 70-litre cavity, making it easy to entertain lots of guests.

SAVE TIME AND IMPROVE PRECISION WITH THE FORCED AIR FUNCTION

Turn up the heat on your appliance at high speed with the additional circular element which is activated in forced-air mode.

This function also ensures even cooking and enables you to cook on several levels at the same time.



PYROLYTIC AND CATALYTIC OVENS FOR EASY CLEANING

Cooking with our ovens is easy and enjoyable and cleaning them is simple too. With the pyrolysis function, your appliance does all the work so that you only have to clear away the ashes after using the self-cleaning function.

As for the catalytic coating, it absorbs grease directly during cooking and only requires occasional cleaning by hand. You can cook as much as you like while your appliance stays perfectly clean.



PYROLYTIC & CATALYTIC OVENS

PROGRAMME YOUR OVEN TO COOK YOUR FAVOURITE DISHES WITH DELAYED START

The delayed start function of Schneider ovens allows you to cook your dishes according to your schedule. You can program the oven to start up to 24 hours in advance by setting the desired start time, temperature and cooking time. At the set time, the oven will emit a beep and start cooking.



SOFT-CLOSING DOOR

For greater ease of use, your oven is equipped with hinges, ensuring the door closes smoothly and silently.

FOUR LAYERS OF GLASS FOR ENHANCED SAFETY

What better way to ensure your oven is safe than by keeping the door cool during cooking? Our pyrolytic ovens are equipped with four layers of glass, while catalytic ovens have three. So you can cook in total peace of mind.



COOK YOUR MEALS IN COMPLETE SAFETY

With the telescopic rails available with certain oven models, you can put your dishes in the oven and take them out again with total ease. They also serve as safety devices by reducing the risk of kitchenware being knocked over.



WHITE LED DISPLAY

CONTROL DIALS

STAINLESS
STEEL HANDLE



PYROLYTIC OVEN

SCOP27MIBK | 705 €*



Main features

- Pyrolytic self-cleaning
- Forced air multi-function
- 11 functions: light, defrost, bottom heat element, conventional oven conventional fan, grill, double grill, fan-assisted double grill, forced-air, eco, self-clean.
- Delayed start
- Temperature range: 50 - 250 °C
- Net cavity volume: 70 litres
- 5-level chromed racks
- White LED display
- Soft-closing door
- 1-level telescopic railing
- Temperature recommendation

Technical information

- 25 W Interior lighting
- Energy class A
- Accessories included: 1 drip tray, 1 wire grid

PYROLYTIC OVEN

SCOP27BABK | 647 €*



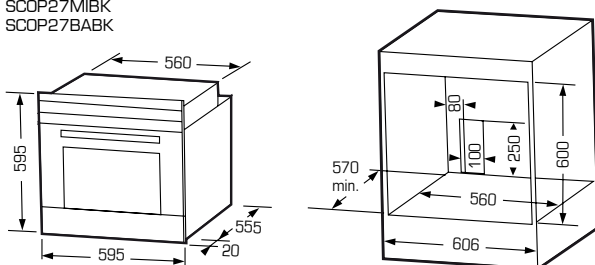
Main features

- Pyrolytic self-cleaning
- Forced air multi-function
- 11 functions: light, defrost, bottom heat element, conventional oven conventional fan, grill, double grill, fan-assisted double grill, forced-air, eco, self-clean.
- Delayed start
- Temperature range: 50 - 250 °C
- Net cavity volume: 70 litres
- 5-level chromed racks
- White LED display
- Temperature recommendation

Technical information

- 25 W Interior lighting
- Energy class A
- Accessories included: 1 drip tray, 1 wire grid

SCOP27MIBK
SCOP27BABK





PYROLYTIC OVEN

SCOP27MIBS | 705 €*



Main features

- Pyrolytic self-cleaning
- Forced air multi-function
- 11 functions: light, defrost, bottom heat element, conventional oven conventional fan, grill, double grill, fan-assisted double grill, forced-air, eco, self-clean.
- Delayed start
- Temperature range: 50 - 250 °C
- Net cavity volume: 70 litres
- 5-level chromed racks
- White LED display
- Soft-closing door
- 1-level telescopic railing
- Temperature recommendation

Technical information

- 25 W Interior lighting
- Energy class A
- Accessories included: 1 drip tray, 1 wire grid

PYROLYTIC OVEN

SCOP27BABS | 647 €*



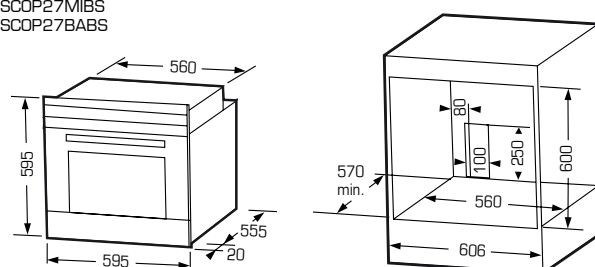
Main features

- Pyrolytic self-cleaning
- Forced air multi-function
- 11 functions: light, defrost, bottom heat element, conventional oven conventional fan, grill, double grill, fan-assisted double grill, forced-air, eco, self-clean
- Delayed start
- Temperature range: 50 - 250 °C
- Net cavity volume: 70 litres
- 5-level chromed racks
- White LED display
- Temperature recommendation

Technical information

- 25 W Interior lighting
- Energy class A
- Accessories included: 1 drip tray, 1 wire grid

SCOP27MIBS
SCOP27BABS





CATALYTIC OVEN

SCOC17MIBK | 588 €*



Main features

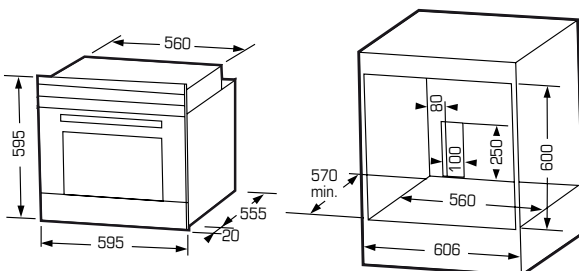
Catalytic self-cleaning
 Forced air multi-function
 10 functions: light, defrost, bottom heat element, conventional oven conventional fan, grill, double grill, fan-assisted double grill, forced-air, eco, self-clean.

Delayed start
 Temperature range: 50 - 250 °C
 Net cavity volume: 70 litres
 5-level chromed racks
 White LED display
 Soft-closing door
 1-level telescopic railing
 Temperature recommendation

Technical information

25 W Interior lighting
 Energy class A
 Accessories included: 1 drip tray, 1 wire grid

SCOC17MIBK
 SCOC17BABK



CATALYTIC OVEN

SCOC17BABK | 529 €*



Main features

Catalytic self-cleaning
 Forced air multi-function
 10 functions: light, defrost, bottom heat element, conventional oven conventional fan, grill, double grill, fan-assisted double grill, forced-air, eco, self-clean.

Delayed start
 Temperature range: 50 - 250 °C
 Net cavity volume: 70 litres
 5-level chromed racks
 White LED display
 Temperature recommendation

Technical information

25 W Interior lighting
 Energy class A
 Accessories included: 1 drip tray, 1 wire grid



CATALYTIC OVEN

SCOC17MIBS | 588 €*



Main features

Catalytic self-cleaning
 Forced air multi-function
 10 functions: light, defrost, bottom heat element, conventional oven, conventional fan, grill, double grill, fan-assisted double grill, forced-air, eco, self-clean.

Delayed start
 Temperature range: 50 - 250 °C
 Net cavity volume: 70 litres
 5-level chromed racks
 White LED display
 Soft-closing door
 1-level telescopic railing
 Temperature recommendation

Technical information

25 W Interior lighting
 Energy class A
 Accessories included: 1 drip tray, 1 wire grid

CATALYTIC OVEN

SCOC17BABS | 529 €*



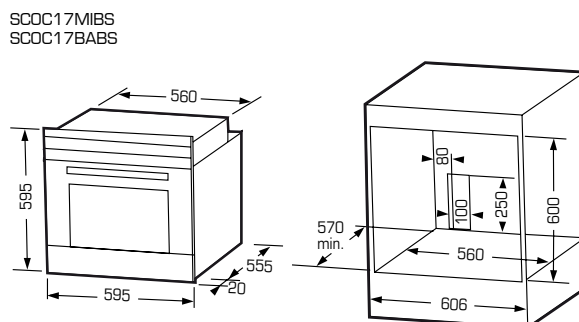
Main features

Catalytic self-cleaning
 Forced air multi-function
 10 functions: light, defrost, bottom heat element, conventional oven, conventional fan, grill, double grill, fan-assisted double grill, forced-air, eco, self-clean.

Delayed start
 Temperature range: 50 - 250 °C
 Net cavity volume: 70 litres
 5-level chromed racks
 White LED display
 Temperature recommendation

Technical information

25 W Interior lighting
 Energy class A
 Accessories included: 1 drip tray, 1 wire grid





MULTI-FUNCTION PYROLYTIC OVEN

SCOP25ENBK | 623 €*



Main features

Catalytic self-cleaning
 Forced air multi-function
 11 functions: light, defrost, bottom heat element, conventional oven, conventional fan, grill, double grill, fan-assisted double grill, forced-air, eco, self-clean.
 Temperature range: 50 - 250 °C
 Net cavity volume: 70 litres
 Delayed start function
 5-level chromed racks
 White LED display
 Temperature recommendation

Technical information

25 W Interior lighting
 Energy class A
 Accessories included: 1 drip tray, 1 wire grid

MULTI-FUNCTION PYROLYTIC OVEN

SCOC15ENBK | 470 €*



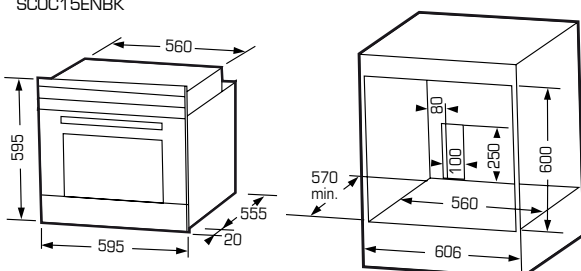
Main features

Catalytic self-cleaning
 Forced air multi-function
 10 functions: light, defrost, bottom heat element, conventional oven, conventional fan, grill, double grill, fan-assisted double grill, forced-air, eco,
 Temperature range: 50 - 250 °C
 Net cavity volume: 70 litres
 Delayed start function
 5-level chromed racks
 White LED display
 Temperature recommendation

Technical information

25 W Interior lighting
 Energy class A
 Accessories included: 1 drip tray, 1 wire grid

SCOP25ENBK
 SCOC15ENBK





STEAM OVEN



AUTOMATIC RECIPES FOR UNIQUE DISHES

Steam cooking is a healthy way to cook food while preserving its nutrients and flavour. With its 20 preset programmes, your oven takes care of everything for you.

PROGRAMME YOUR OVEN TO COOK YOUR FAVOURITE DISHES WITH DELAYED START

The delayed start function of Schneider ovens allows you to cook meals according to your schedule. You can programme the oven to start up to 24 hours in advance by setting the desired start time, temperature and cooking time. At the set time, the oven will beep and start cooking.



AUTOMATIC DRYING

There's no need to wipe down your steam oven after use. Thanks to the drying function, the interior dries automatically, saving you time and energy.



STEAM OVEN



REMOVABLE ONE-LITRE TANK FOR LONGER COOKING TIMES

The Schneider steam oven has a fully-removable 1-litre reservoir, for a cooking time of up to 90 minutes.

EASY CLEANING WITH THE DESCALING FUNCTION

You don't have to worry about descaling your oven thanks to the integrated descaling function.



FERMENTATION FUNCTION

The Schneider steam oven is equipped with a "fermentation" function that enables you to prove your bread dough or recreate your favourite yoghurt recipes.

GENTLE DEFROST FUNCTION

Defrost your ingredients while preserving their nutritional properties with the defrosting function of Schneider ovens. Without using heat, the oven defrosts your food slowly, ensuring it does not cook thanks to appropriate interior ventilation.





STEAM OVEN 45 CM

SCS045BK | 976 €



Main features

Volume 34 litres

Water reservoir capacity 1 litres

Adjustable temperature from 35 - 100 °C

20 automatic programmes

Fermentation function

Defrosting function

Drying function

Descaling function

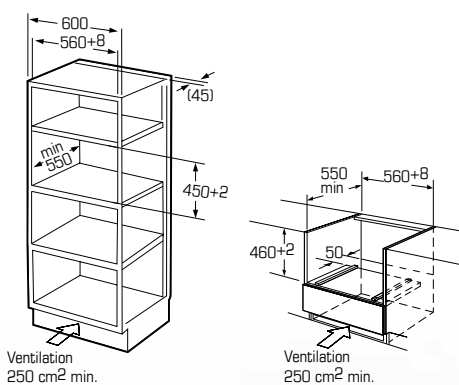
Child lock

Delayed start function

3 oven settings

Accessories included: 1 wire grid for steam cooking, 1 tray for steam cooking

SCS045BK





COMBINATION MICROWAVE OVENS

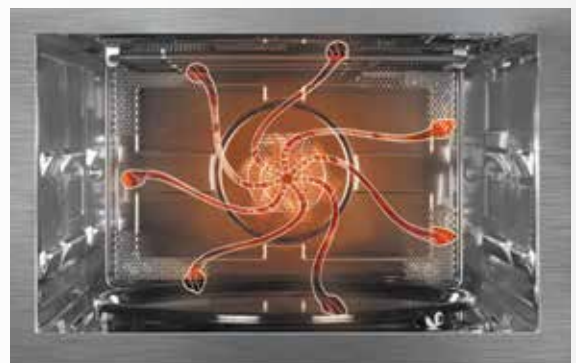


LARGE TURNTABLE PLATE SUITABLE FOR ALL TYPES OF DISHES

Thanks to its turntable plate of 36 cm in diameter, with the Schneider combination microwave oven, you can heat all types of dishes, even the largest.

EVEN COOKING ON ALL LEVELS

Turn up the heat on your appliance at high speed with the additional circular element which is activated in forced-air mode. This function also ensures even cooking and enables cooking on several levels at the same time. Combined with the microwave function, it helps reduce the cooking time of your meals.





GRILL YOUR DISHES IN RECORD TIME

Equipped with a 1,000 W grill, you can use your Schneider microwave to crisp up your dishes.

25 L CAVITY

With its large interior cavity, you can warm up all your dishes and large meals without constraint.



STAINLESS STEEL COATING FOR DURABILITY

The interior of Schneider's built-in microwaves is made of stainless steel, a material known for being durable and easy to clean.



MICROWAVE 45 CM

SCMG145BK | 705 €*



Main features

- Volume 44 litres
- 5 microwave power levels
- Grill function
- Combined microwave + grill function
- 8 automatic programmes
- Microwave power: 900 W
- Grill power: 1,750 W
- Turntable plate diameter: 36 cm
- Child lock
- Defrost function
- Timer: 95 min
- End of cooking time alarm signal

Technical information

- Cavity material: stainless steel
- White LED display
- Accessories included: 2 grill supports, top and bottom

COMBINATION MICROWAVE OVEN 45 CM

SCMC245BK | 905 €*(black)
SCMC245BS | 905 €*(Stainless steel)



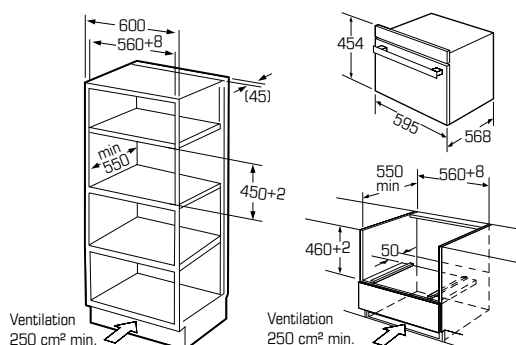
Main features

- Volume 44 litres
- Forced air multi-function
- Quick preheat function
- 5 microwave power levels
- 13 automatic programmes
- Microwave power: 900 W
- Grill power: 1,750 W
- Multi-function oven power: 1,750 W
- Turntable plate diameter: 36 cm
- Child lock
- Defrost function according to time and weight
- Timer: 95 min
- End of cooking time alarm signal

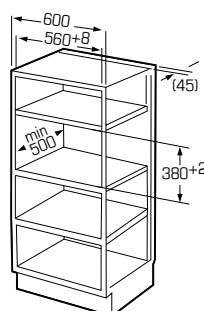
Technical information

- Cavity material: stainless steel
- White LED display
- Accessories included: 2 grill supports, top and bottom

SCMG145BK / SCMC245BK / SCMC245BS

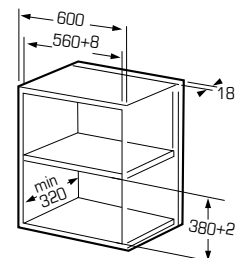


SCMG138BK / SCMG138BS



SCM0382ONO

Installation in upper cabinets or tower units



MICROWAVE 38 CM

SCMG138BK | 447 €*

Main features

Volume 25 litres
5 microwave power levels
Grill function
2 combined microwave
+ grill programmes
8 automatic programmes
Microwave power: 900 W
Grill power: 1,000 W
Turntable plate diameter:
31,5 cm



Child lock
Defrost function according to time
and weight
Timer: 95 min
End of cooking time signal tone

Technical information

Cavity material: stainless steel
White LED display
Accessories included:
1 grill support



MICROWAVE 38 CM

SCMG138BS | 447 €*

Main features

Volume 25 litres
5 microwave power levels
Grill function
2 combined microwave
+ grill programmes
8 automatic programmes
Microwave power: 900 W
Grill power: 1,000 W
Turntable plate diameter:
31,5 cm



Child lock
Defrost function according to
time and weight
Timer: 95 min
End of cooking time signal tone

Technical information

Cavity material: stainless steel
White LED display
Accessories included:
1 grill support



MICROWAVE 38 CM

SCM0382ONO | 352 €*

Main features

Volume 20 litres
5 microwave power levels
8 automatic programmes
Microwave power: 800 W
Turntable plate diameter:
24,5 cm
Child lock



Defrost function according to
time and weight
Timer: 95 min
End of cooking time signal tone

Technical information

Cavity material: stainless steel
White LED display





WARMING DRAWER

TOUCH-SENSITIVE CONTROLS

To facilitate the use of the warming drawer, the controls are accessed from the side. Its touch-sensitive buttons are both user-friendly and practical. Each programme is clearly identified with clear symbols, which makes using your warming drawer as easy as child's play.



OPENS WITH A SIMPLE PUSH

With its push and pull system, this warming drawer is ultra-simple to use and can be completely removed from its runners for easy access to your dishes.



A MAT FOR MORE STABILITY

No slipping allowed: our warming drawer is equipped with an anti-slip mat which provides grip for all container types and ensures they stay firmly in place when opening.



KEEP YOUR FOOD AT THE PERFECT TEMPERATURE AND MORE

Our warming drawer keeps your food at just the right temperature until you're ready to serve your guests. It's also ideal for gently defrosting food or proving bread dough. A genuine daily aide in the kitchen, you'll soon wonder how you managed without it.





WARMING DRAWER 14 CM

SCWD15BK | 564 €*



Main features

Push-pull opening, fully removable drawer

Touch-sensitive controls

Soft-closing

Anti-slip mat

Stainless steel interior

Interior volume: 22 litres

Temperature range: 40°–80° C

Functions: cooking, low-temperature cooking, dough proving and yoghurt fermentation function, defrost, warming, preheating crockery

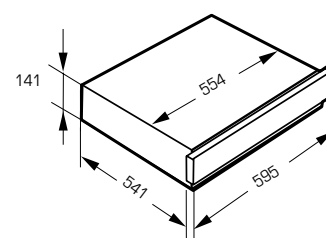
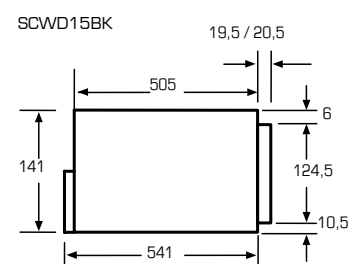
Technical information

Max. load: 25 kg

Maximum number of plates: 12

Maximum number of espresso cups: 80

Preheating of crockery for 6 people (EN 50242)



EXTRACTOR HOB







Schneider's extractor hob perfectly combines cooking and extraction, so you can save space and work in total comfort when preparing food.



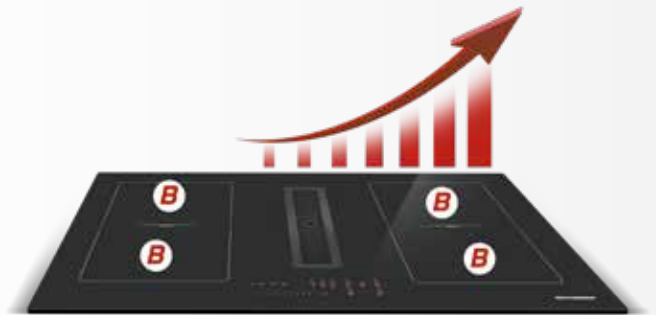


RESIDUAL HEAT INDICATOR

After switching off one of the cooking zones, the hob surface will still be hot. The H - residual heat indicator - will be displayed. It will disappear once the hob has cooled down.

BOOSTER AND DOUBLE BOOSTER FUNCTIONS

The booster and double-booster functions heat up the selected hob zone more quickly. When this function is activated, the appliance operates at maximum power (3,000 W with double booster) for 10 minutes.



AUTOMATIC COOKING

When the requested power level and the automatic cooking function are selected, the hob activates the booster function to increase the temperature to the set level more quickly, before returning to the initial setting.

STOP & GO

This feature interrupts all of the hob's functions whilst saving all the settings. The hob is ready to be reactivated whenever you are ready. Handy for cleaning your hob between dishes!





COOKING/EXTRACTOR HOB

KEEP WARM FUNCTION

This function sets the hob temperature at 70°C and keeps your food warm until ready to serve. This helps prevent pans from boiling over and food from overcooking. The maximum time for using the keep warm function is 2 hours



BRIDGE OR AUTOMATIC BRIDGE

With the bridge function, you can use two hob zones at the same time with the same settings, which provides a large hob zone for cooking your biggest pots and pans. The booster is also activated via this function.

GRILL FUNCTION

With the grill button, you can use the cooking accessories such as the grill or plancha, under optimal conditions by cooking food on the bridge zone at the right temperature.



SMART DETECTION

When you place a pan on a hob, the zone is automatically selected on the control panel and all you have to do is set the required power level.



EXTRACTOR HOB/EXTRACTION



BOOSTER FUNCTION

The activation of this function enables to capture even the most stubborn grease and odours: the hood will extract at maximum power for 10 minutes.

DELAYED SHUT-OFF FUNCTION

For a purer air in the kitchen, activate this function: the hood will continue to operate for 15 minutes after the cooking hob has been switched off.



AUTOMATIC FUNCTION

This function connects the hood to the hob. The higher the power of the hob, the stronger the extraction of the hood.

GREASE FILTER SATURATION INDICATOR

When the hood is switched on and the power is set to 0, the display shows the number of hours remaining before the filters need to be cleaned. The default number of hours is set at 30 but this setting can be adjusted.







EXTRACTOR HOB

4 induction zones with central extraction hood

SCVH651AS | 2705€*

Available from June 2021



Main features

Cooking hob:

- Central slider control and direct access to special function
- 9 power levels + double booster
- Timer
- Keep warm function
- Automatic bridge
- Grill function
- Stop & Go
- Automatic cooking
- Smart detection
- Automatic function

Hood:

- Energy class A
- EC motor, silent and efficient
- Suction power: 900 m³/h
- Noise level: min 33 dB/max 60 dB
- 9 power levels + double booster
- Delayed shut-off function
- Dimensions: 78 x 52 cm
- Grease filter saturation indicator

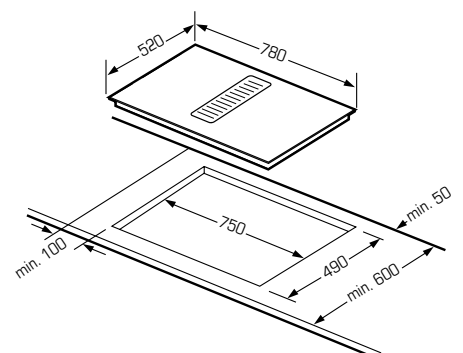
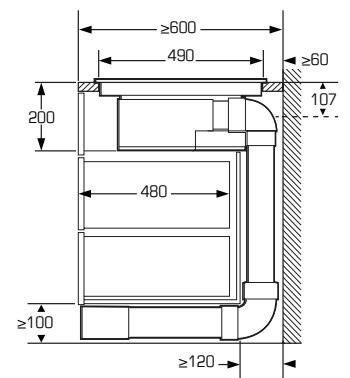
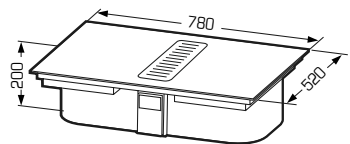
Total power: 7400 W



2 x 210 x 190 mm
2,100 W
Booster I : 2,300 W,
Booster II : 3,000 W



2 x 210 x 190 mm
2,100 W
Booster I : 2,300 W,
Booster II : 3,000 W

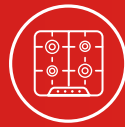


Can be installed in either recirculation or exhaust mode.
The product comes with a pre-installed AirClean charcoal filter.
Recirculation: for optional accessories, see technical table.
Exhaust: accessories not included.

COOKING HOBS







With their user-friendly design, Schneider cooking hobs provide optimal control, power and safety at all times.





3 TYPES OF CONTROLS FOR EFFICIENT COOKING

All the hobs in the Schneider collection have 3 types of user-friendly controls for adjusting the hob power.

- touch controls with direct access to the hobs.
- a central slider to adjust the power level.
- multi-sliders to combine both benefits: the ease of use of the slider and a direct access to the hob by selecting the corresponding slider.

RESIDUAL HEAT INDICATOR

This residual heat indicator, represented by the letter H, will be displayed when cooking is finished to signal that the hob is still hot. Wait until the area has cooled down completely to avoid the risk of burns.

RESIDUAL HEAT INDICATOR

This residual heat indicator, represented by an H, appears when your cooking is finished to signal that the hob is still hot. Wait until the area has cooled down completely to avoid the risk of burns.

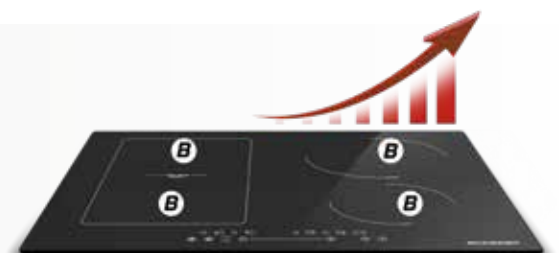


CONTROLLED COOKING TO THE EXACT MINUTE

Each hob is equipped with a timer, ensuring precise cooking to the exact minute, so that all your dishes are cooked to perfection.

SHORT ON TIME? USE THE BOOSTER FUNCTION

You can cook food much faster with the Booster function! When this function is activated, the temperature will rise much faster than in normal use, thus saving you time.





KEEP YOUR FOOD AT THE RIGHT TEMPERATURE

The “keep warm” function is used to keep your food at just the right temperature, when your other dishes are not ready or when you are waiting to serve food. Say goodbye to lukewarm food and hello to flavour!



FANCY COOKING ON A PLANCHA?

When you cook with the plancha or barbecue on your induction hob, the plancha function sets the ideal power for you to cook meat, fish and vegetables in a healthy and tasty way.

LARGE HOB ZONE FOR LARGE QUANTITIES!

Do you need to cook large quantities? Thanks to the large 28-cm hob zone on Schneider cooking hobs, you can prepare dishes in large pots and pans with the greatest of ease.



A FLEXIBLE ZONE FOR SMALL OR LARGE DISHES

Resolutely practical, Schneider induction hobs offer total flexibility, with either two separate cooking zones or a single 39.5 x 20 cm zone.

INDUCTION HOB 60 CM

SCTI6042N5/1 | 647 €*

Main features

4 induction zones including
2 flexible zones
Multi-slider and touch-sensitive
controls
Timer: 99 min
9 power levels
Child lock
Residual heat indicator
Automatic shutdown
Pot detector
Plancha function
Keep warm function



- Total power: 7,400 W
- Flexible zones: 395 x 200 mm
2,500W, Booster 3,000 W
 - 180 mm x 180 mm
2,000 W, Booster 2,600 W
 - 180 mm x 180 mm
1,500 W, Booster 2,000 W
 - 180 mm x 180 mm
2,000 W, Booster 2,600 W
 - 180 mm x 180 mm,
1,500 W, Booster 2,000 W



INDUCTION HOB 60 CM

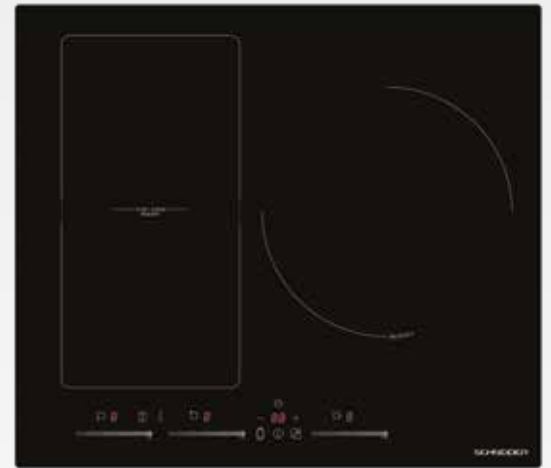
SCTI6031N5/1 | 588 €*

Main features

3 induction zones including
1 flexible zone
Multi-slider control
Plancha function
Keep warm function
Timer: 99 min
9 power levels
Child lock
Residual heat indicator
Automatic shutdown
Pot detector



- Total power: 7,400 W
- Flexible zone : 395 x 200 mm
2,500 W, Booster 3,000 W
 - 180 mm x 180 mm
2,000 W, Booster 2,600 W
 - 180 mm x 180 mm
1,500 W, Booster 2,000 W
 - Ø : 280 mm
2,500 W, Booster 3,600 W



INDUCTION HOB 60 CM

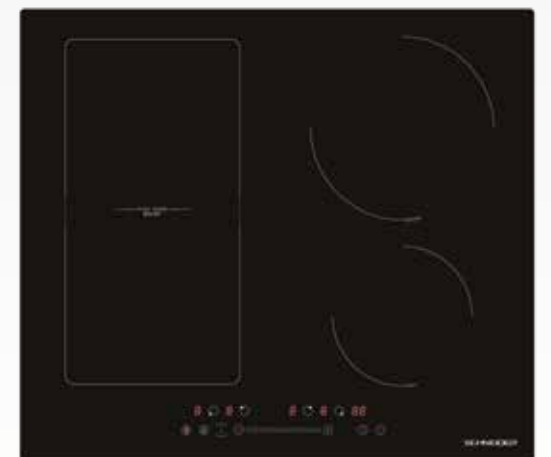
SCTI6041N3/1 | 529 €*

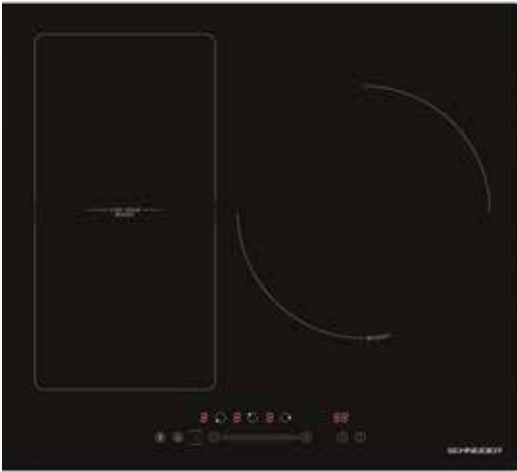
Main features

4 induction zones including
1 flexible zone
Slider control
Plancha function
Keep warm function
Timer: 99 min
9 power levels
Child lock
Residual heat indicator
Automatic shutdown
Pot detector



- Total power: 7,400 W
- Flexible zone : 395 x 200 mm
2,600 W, Booster 3,000 W
 - 180 mm x 180 mm
2,000 W, Booster 2,600 W
 - 180 mm x 180 mm
1,500 W, Booster 2,000 W
 - Ø : 210 mm
2,000 W, Booster 2,600 W
 - Ø : 160 mm
1,500 W, Booster 2,000 W





INDUCTION HOB 60 CM


SCTI6031N3/1 | 529 €*


Main features


- 3 induction zones including 1 flexible zone
- Slider control
- Plancha function
- Keep warm function
- Timer: 99 min
- Booster on each hob
- 9 power levels
- Child lock
- Residual heat indicator
- Automatic shutdown
- Pot detector




Total power: 7,400 W

 Flexible zone : 395 x 200 mm
2,500 W, Booster 3,000 W

 Ø : 180 mm x 180 mm
2,000 W, Booster 2,600 W

 Ø : 180 mm x 180 mm
1,500 W, Booster 2,000 W

 Ø : 280 mm
2,500 W, Booster 3,600 W



INDUCTION HOB 60 CM


SCTI6030N3/1 | 447 €*


Main features


- 3 induction zones
- Slider control
- Keep warm function
- Timer: 99 min
- Booster on each hob
- 9 power levels
- Child lock
- Residual heat indicator
- Automatic shutdown
- Pot detector



Total power: 7,400 W

 Ø : 180 mm
2,000 W, Booster 2,600 W

 Ø : 160 mm
1,500 W, Booster 2,000 W

 Ø : 280 mm
2,500 W, Booster 3,600 W



INDUCTION HOB 60 CM


SCTI6030N1/1 | 388 €*


Main features


- 3 induction zones
- Touch-sensitive controls
- Keep warm function
- Timer: 99 min
- Booster on each hob
- 9 power levels
- Child lock
- Residual heat indicator
- Automatic shutdown
- Pot detectors

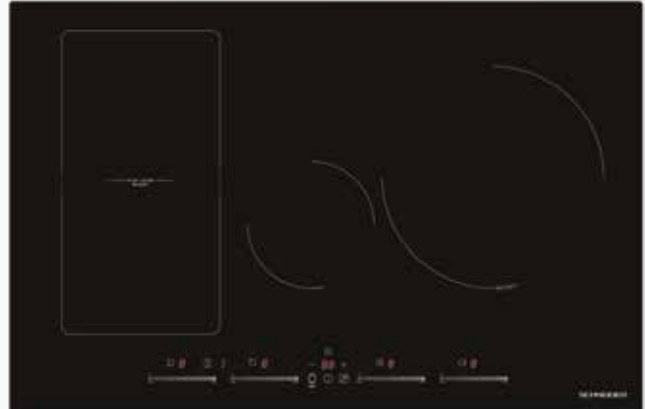


Total power: 7,400 W

 Ø : 180 mm
2,000 W, Booster 2,600 W

 Ø : 160 mm
1,500 W, Booster 2,000 W

 Ø : 280 mm
2,500 W, Booster 3,600 W



INDUCTION HOB 70 CM

SCTI7041N3/1 | 529 €*



Main features

- 4 induction zones including 1 flexible zone
- Slider control
- Plancha function
- Keep warm function
- Timer: 99 min
- Booster on each hob
- 9 power levels
- Child lock
- Residual heat indicator
- Automatic shutdown
- Pot detector

Total power: 7,400 W

- Flexible zone : 395 x 200 mm
2,600W, Booster 3,000 W
- 180 mm x 180 mm
2,000 W, Booster 2,600 W
- 180 mm x 180 mm
1,500 W, Booster 2,000 W
- Ø : 210 mm
2,000 W, Booster 2,600 W
- Ø : 160 mm
1,500 W, Booster 2,000 W

INDUCTION HOB 80 CM

SCTI8041N3/1 | 764 €*



Main features

- 4 induction zones including 1 flexible zone
- Multi-slider control
- Plancha function
- Keep warm function
- Timer: 99 min
- Booster on each hob
- 9 power levels
- Child lock
- Residual heat indicator
- Automatic shutdown
- Pot detector

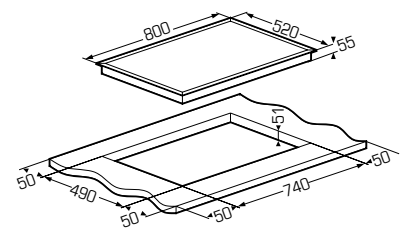
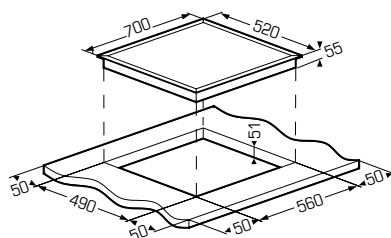
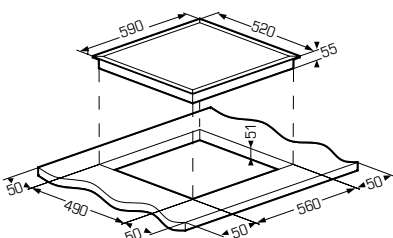
Total power: 7,400 W

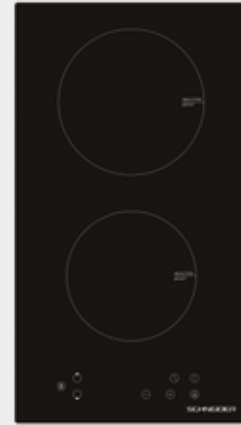
- Flexible zone : 395 x 200 mm
2,500W, Booster 3,000 W
- 180 mm x 180 mm
2,000 W, Booster 2,600 W
- 180 mm x 180 mm
1,500 W, Booster 2,000 W
- Ø : 160 mm
1,500 W, Booster 1,800 W
- Ø : 280 mm
2,000 W, Booster 3,000 W

SCTI6042N5/1 SCTI6030N3/1
SCTI6031N3/1 SCTI6030N3/1
SCTI6041N3/1 SCTI6030N1/1

SCTI7041N3

SCTI8041N3





INDUCTION HOB 90 CM

SCTI9528N3 | 882 €*


Available from May 2021





Main features


- 5 induction zones including 2 flexible zones
- Slider control
- Plancha function
- Keep warm function
- Timer: 99 min
- Booster on each hob
- 9 power levels
- Child lock
- Residual heat indicator
- Automatic shutdown
- Pot detector


Total power: 7,400 W


 Flexible zones: 395 x 200 mm
2,800W, Booster 3,500 W

 180 mm x 180 mm
2,000 W, Booster 2,600 W

 180 mm x 180 mm
1,500 W, Booster 2,000 W

 Ø : 280 mm
2,300 W, Booster 3,000 W

 180 mm x 180 mm
2,000 W, Booster 2,600 W

 180 mm x 180 mm
1,500 W, Booster 2,000 W

DOMINO INDUCTION HOB


SCDI30N1 | 317 €*




Main features

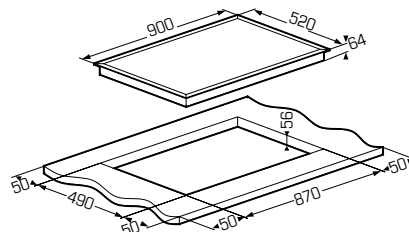
- 2 induction zones
- Touch-sensitive controls
- Keep warm function
- Timer: 99 min
- Booster on each hob
- 9 power levels
- Child lock
- Residual heat indicator
- Automatic shutdown
- Pot detector

Total power: 3,500 W

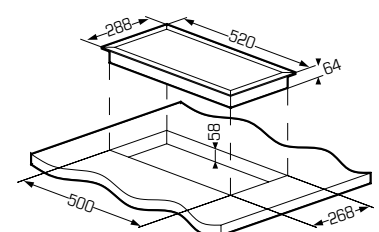
 Ø : 180 mm
1,500 W, Booster 1,800 W

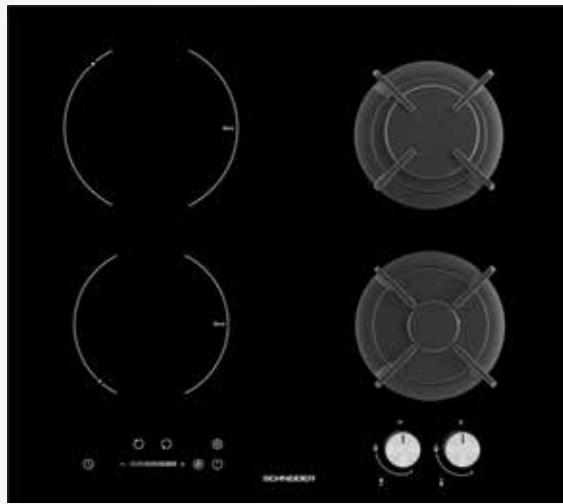
 Ø : 180 mm
2,000 W, Booster 2,300 W

SCTI9052N3/1



SCDI30N1





MIXED INDUCTION – GAS HOB

SCTGI640S | 588 €*



Induction

Main features

- 2 induction zones
- Slider control
- Timer: 99 min
- Booster on each hob
- 9 power levels
- Child lock
- Residual heat indicator
- Automatic shutdown
- Pot detector

Total induction power: 3,500 W

 Ø : 200 mm
2,000 W / 2,300 kW


 Ø : 160 mm
1,200 W / 1,500 kW

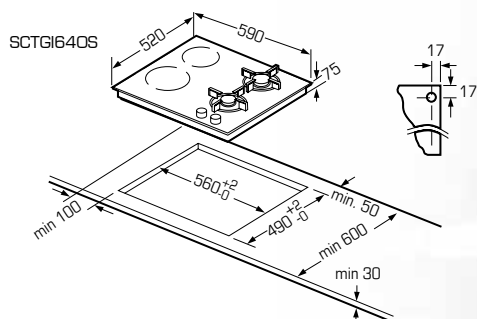
Gas

Main features

- 2 Sabaf gas burners
- Glass top
- Cast iron pan supports, dishwasher safe
- One hand ignition
- Thermocouple safety device
- Equipped for natural gas, butane/propane injectors supplied with appliance
- Total gas power: 4,750 W

 Rapid burner: 3,000 W

 Standard burner: 1,750 W



A TAILOR-MADE BURNER FOR YOUR WOK

Perfect for wok cooking, gas is ideal for searing your food while maintaining its crunchiness and flavour. Our appliances are equipped with a wok burner that can reach up to 3.8 kw and, thanks to its triple crown, heat is evenly distributed around the pan.



STYLISH AND REASSURINGLY SAFE

Our ultra-solid cast iron pan supports ensure your pots, pans and woks are completely stable during cooking, while looking stylish and being dishwasher safe.

ONE HAND IGNITION

The dial controls are used to select the required power level and to automatically light the burners on your gas hob. Simply light and adjust the flame with one hand.



COOK IN COMPLETE SAFETY

The thermocouple function ensures optimal safety, by shutting off the gas supply if the flame goes out.

GLASS GAS HOB

SCTG741ACN | 470 €*



Main features

5 Sabaf gas burner
including 1 wok burner

Glass top

Black aluminium control panel

Cast iron pan supports,

Dishwasher safe

One-hand ignition

Thermocouple safety device

Equipped for natural gas, butane/


propane injectors supplied with

appliance

Total connected
load: 11,300 W

 Standard burner:
1,750 W

 Rapid burner:
3,000 W

 Wok burner:
3,800 W

 Standard burner:
1,750 W

 Economy burner:
1,000W



COOKING
HOBS

GLASS GAS HOB

SCTG640ACN | 352 €*



Main features

4 Sabaf gas burners

Glass top

Black aluminium control panel

Cast iron pan supports,

Dishwasher safe

One-hand ignition

Thermocouple safety device

Equipped for natural gas,

butane/propane injectors

supplied with appliance

Total connected
load: 7,500 W

 Standard burner:
1,750 W

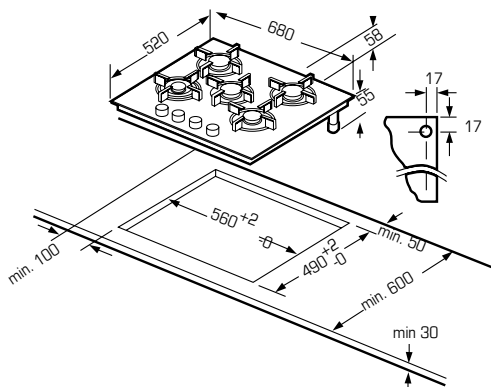
 Standard burner:
1,750 W

 Rapid burner:
3,000 W

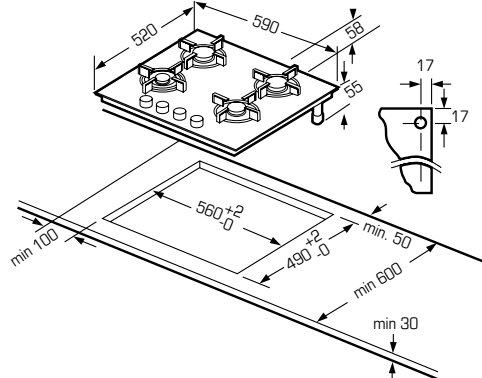
 Economy burner:
1,000W



SCTG741ACN

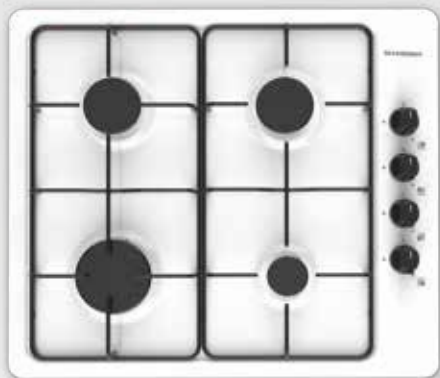


SCTG640ACN



ENAMEL GAS HOB 60CM

SCTG6040B1 | 211 €*



Main features

4 Sabaf gas burners

Enamel top

Dishwasher-safe, enamelled pan supports

One-hand ignition

Thermocouple safety device

Equipped for natural gas, butane/
propane injectors supplied with
appliance

Total connected load:
7,500 W

 Rapid burner:
3,000 W

 Standard burner:
1,750 W

 Standard burner:
1,750 W

 Economy burner:
1,000 W

ENAMEL GAS HOB 60CM

SCTG6040N1 | 211 €*



Main features

4 Sabaf gas burners

Enamel top

Dishwasher-safe, enamelled pan supports

One-hand ignition

Thermocouple safety device

Equipped for natural gas, butane/
propane injectors supplied with
appliance

Total connected
load: 7,500 W

 Rapid burner:
3,000 W

 Standard burner:
1,750 W

 Standard burner:
1,750 W

 Economy burner:
1,000 W

STAINLESS STEEL GAS HOB 60CM

SCTG6040X1 | 211 €*



Main features

4 Sabaf gas burners

Stainless steel top

Dishwasher-safe, enamelled pan supports

One-hand ignition


Thermocouple safety device

Equipped for natural gas, butane/
propane injectors supplied with
appliance

Total connected
load: 7,500 W

 Rapid burner:
3,000 W

 Standard burner:
1,750 W

 Standard burner:
1,750 W

 Economy burner:
1,000 W

STAINLESS STEEL DOMINO GAS HOB

SCDG30IX | 211 €*



Main features

2 Sabaf gas burners

Stainless steel top

Cast iron pan supports

Dishwasher safe

Metal knobs

One-hand ignition

Thermocouple safety device

Equipped for natural gas, butane/

propane injectors supplied with appliance

Total connected load:
7,500 W

● Rapid burner:
3,000 W

○ Economy burner:
1,000W



GLASS DOMINO GAS HOB

SCDG30B4 | 282 €*



Main features

2 Sabaf gas burners

Glass top

Black alu. control panel

Cast iron pan supports

Dishwasher safe

Metal knobs

One-hand ignition

Thermocouple safety device

Equipped for natural gas, butane/

propane injectors supplied with

appliance

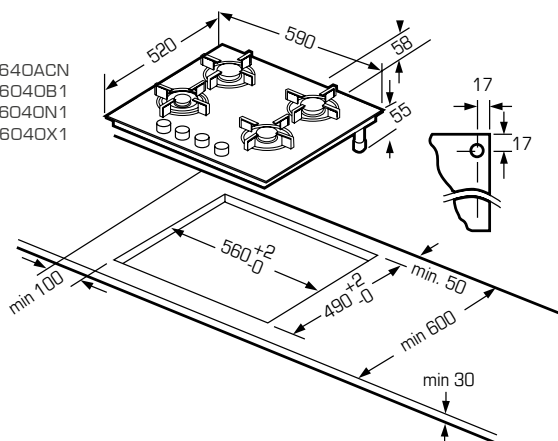
Total connected load:
7,500 W

● Rapid burner:
3,000 W

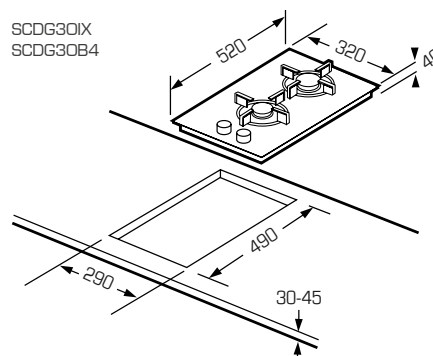
○ Economy burner:
1,000W

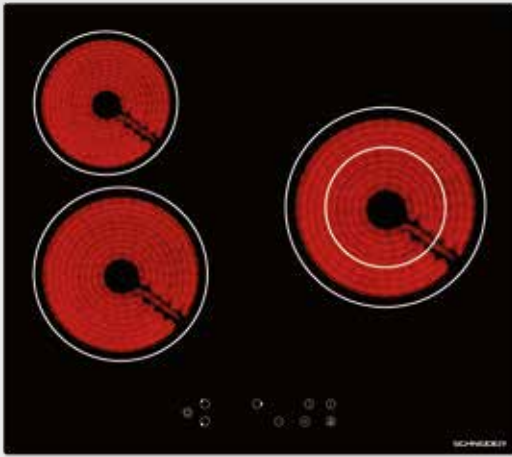


SCTG640ACN
SCTG6040B1
SCTG6040N1
SCTG6040X1



SCDG30IX
SCDG30B4





VITRO-CERAMIC HOB

STV603 | 294 €*

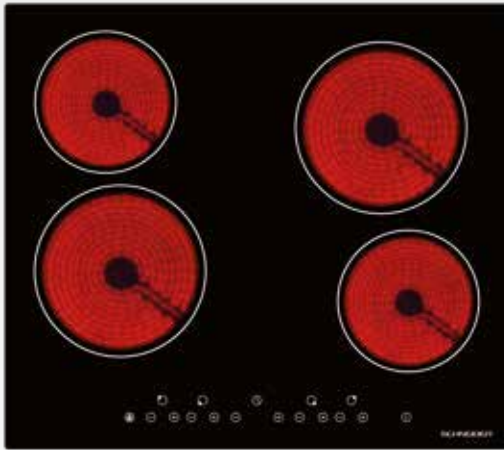


Main features

- 3 vitro-ceramic hob zones including 1 double crown
- Touch-sensitive controls
- Timer
- 9 power levels
- Child lock
- Residual heat indicator
- Automatic shut-off

Total power: 5,200 W

- Ø : 200 mm
1,800 W
- Ø : 165 mm
1,200 W
- Ø : 138 mm / 230 mm
1,000 W / 2,200 W



VITRO-CERAMIC HOB

STV604 | 294 €*

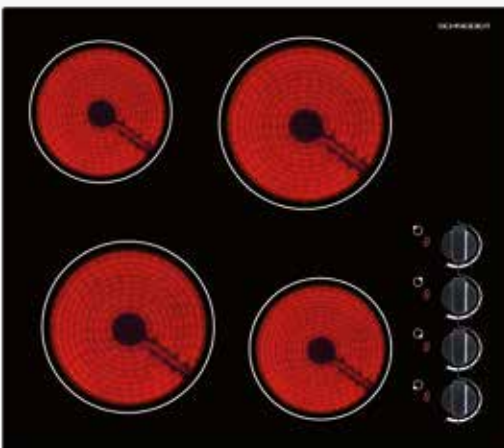


Main features

- 4 vitro-ceramic hob zones
- Touch-sensitive controls
- Timer
- 9 power levels
- Child lock
- Residual heat indicator
- Automatic shut-off

Total power: 6,000 W

- Ø : 200 mm
1,800 W
- Ø : 165 mm
1,200 W
- Ø : 200 mm
1,800 W
- Ø : 165 mm
1,200 W



VITRO-CERAMIC HOB

STV60M | 294 €*



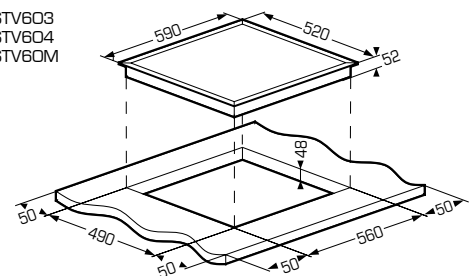
Main features

- 4 vitro-ceramic hob zones
- Dial control with digital power display
- 7 power levels
- Residual heat indicator
- Automatic shut-off

Total power: 6,000 W

- Ø : 200 mm
1,800 W
- Ø : 165 mm
1,200 W
- Ø : 200 mm
1,800 W
- Ø : 165 mm
1,200 W

STV603
STV604
STV60M



DOMINO VITRO-CERAMIC HOB

SDV30M | 235 €*



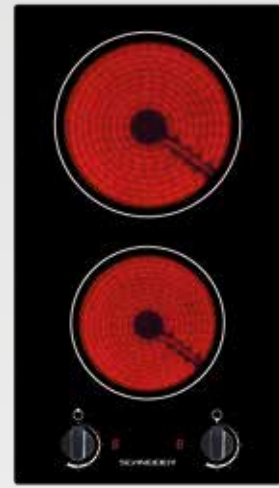
Main features

- 2 vitro-ceramic hob zones
- 2 knobs with digital power display
- 7 power levels
- Residual heat indicator
- Automatic shut-off

Total power: 3,000 W

Ø : 165 mm
1,200 W

Ø : 200 mm
1,800 W



DOMINO VITRO-CERAMIC HOB

SDV30S | 235 €*



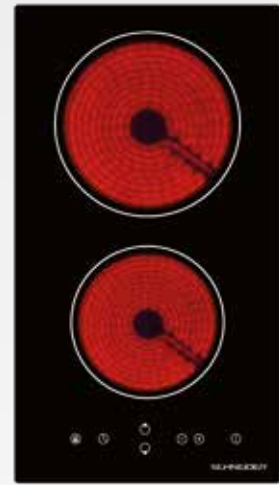
Main features

- 2 vitro-ceramic hob zones
- Touch-sensitive controls
- Timer
- 9 power levels
- Child lock
- Residual heat indicator
- Automatic shut-off

Total power: 3,000 W

Ø : 165 mm
1,200 W

Ø : 200 mm
1,800 W



DOMINO ELECTRIC HOB

SCDE302XM | 164 €*



Main features

- 2 electric hob zones
- 3 mechanical knobs
- Circuit-breaker
timer dial: 90 min
- 3 power levels
- Power indicator
- Pan detector

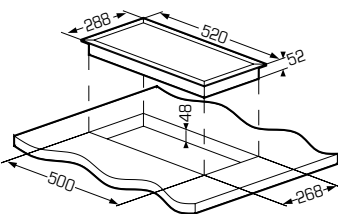
Total power: 3,000 W

Ø : 145 mm
1,000 W

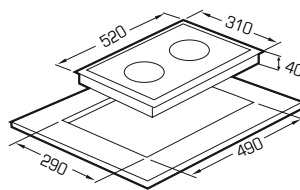
Ø : 180 mm
2,000 W



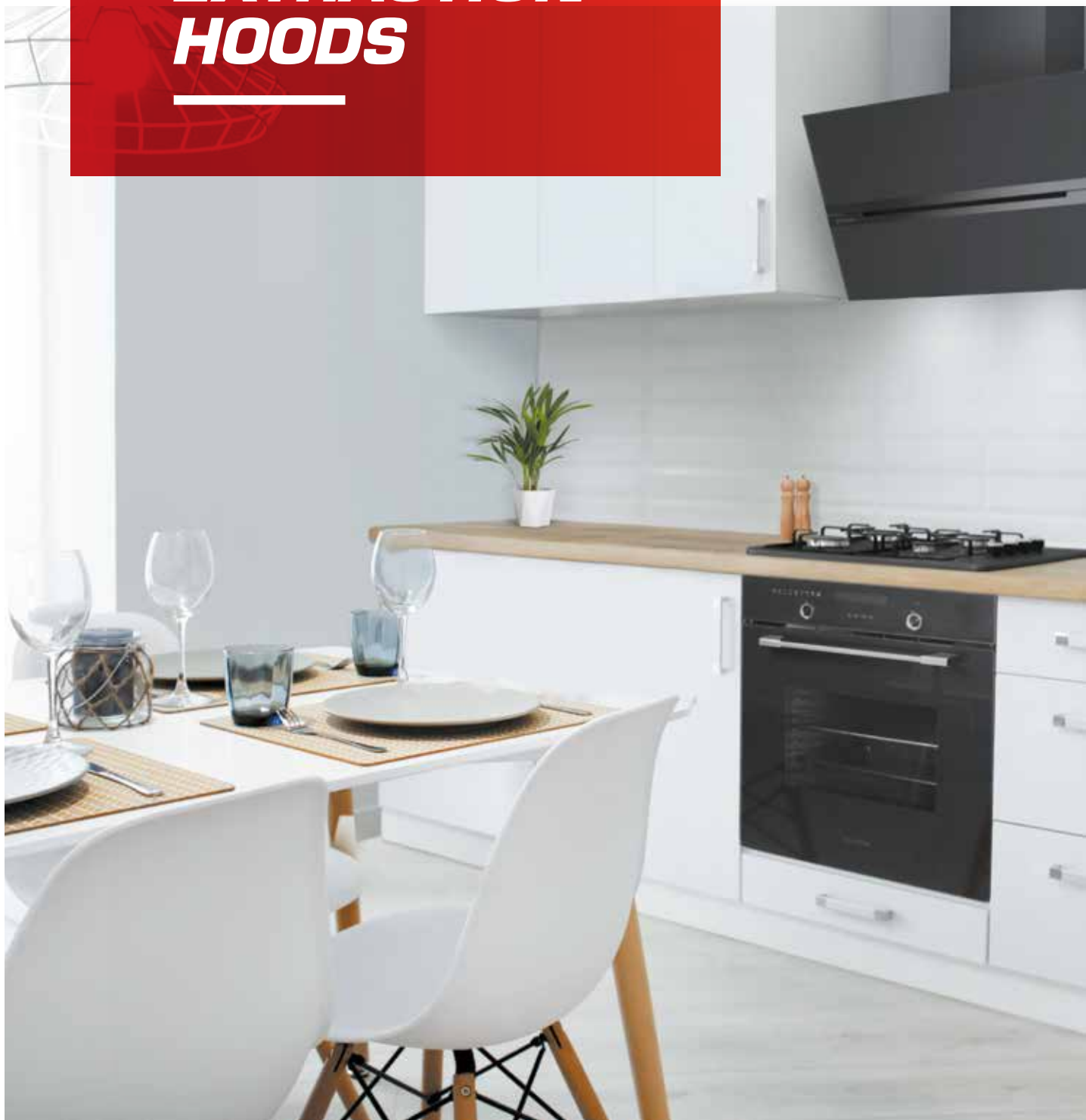
SDV30M
SDV30S



SCDE302XM



EXTRACTION HOODS







The kitchen is one of the most important rooms in the house, a lively and social place that is often open-plan, it should be welcoming, comfortable and stylish. While the cooker hood is an essential decorative and functional item in the kitchen, it should also be discrete. Schneider's energy-efficient cooker hoods perfectly combine style, high suction performance, and low noise levels.





EXTRACTION HOODS



ENERGY CLASS

All of our decorative hoods are rated A++ or A, with a capacity of up to 800 m³/h.

SILENT AND EFFICIENT

Schneider cooker hoods have high suction power, while operating at a noise level that ensures both comfort and efficiency in the kitchen.



PURIFIED AIR

Schneider's anti-odour charcoal filters are the perfect accessory for your hood when installed in recirculation mode. Already pre-installed, you can enjoy clean air from the very first time you cook!

AUTOMATIC OPENING

The extraction hood opens automatically according to the selected speed to optimise suction.



AUTOMATIC SHUT-OFF

All our extraction hoods with touch-sensitive controls are equipped with a delayed shut-off function. This ensures that the hood continues to extract unpleasant odours for a few minutes after pressing the on/off button, leaving your environment even cleaner.



WALL-MOUNTED DECORATIVE HOODS 90 CM

SCHD2A99AAB | 647 €*



Main features

- Recirculation or exhaust operation
- Black ground glass finish
- Automatic panel opening to optimise suction
- Touch-sensitive controls
- Automatic shut-off function
- Max. airflow: 616 m³/h
- Motor power: 165 W
- Noise level: 64 dB (A)
- 3 speeds
- 2 x 1.5 W LED lights
- 2 aluminium grease filters
- Charcoal filters included
- Energy efficiency class: A
- Replacement charcoal filters: 1.11.01.0004



WALL-MOUNTED DECORATIVE HOODS 60 & 90 CM

SCHD6652EB (60 cm) | 529 €*

SCHD9652EB (90 cm) | 588 €*



Main features

- Recirculation or exhaust operation
- Black glass finish
- Touch-sensitive controls
- BLDC Inverter motor
- Automatic shut-off function
- Max. airflow: 650 m³/h
- Motor power: 70 W
- Noise level: 56 dB (A)
- 3 speeds + booster
- LED lights, 2 x 1,5 W
- 2/3 aluminium grease filters
- Charcoal filters included
- Energy efficiency class: A++
- Replacement charcoal filters: 1.11.01.0004

WALL-MOUNTED DECORATIVE HOODS 60 & 90 CM

SCHD2A60EBV (60 cm) | 411 €*

SCHD2A90EBV (90 cm) | 470 €*



Main features

Recirculation or exhaust operation

Black glass finish

Touch-sensitive controls

Automatic shut-off function

Max. airflow: 594 m³/h

Motor power: 165 W

Noise level: 65 dB (A)

3 speeds

LED lights, 2 x 1,5 W

1 aluminium grease filter

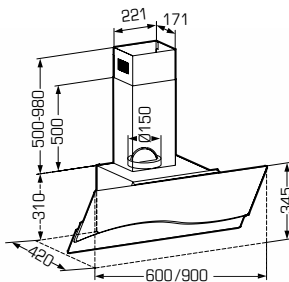
Charcoal filters included

Energy efficiency class: A

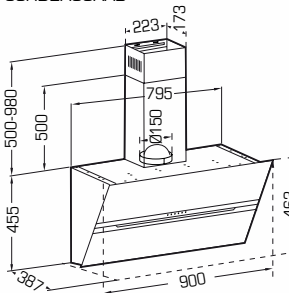
Replacement charcoal filters:

1.11.01.0004

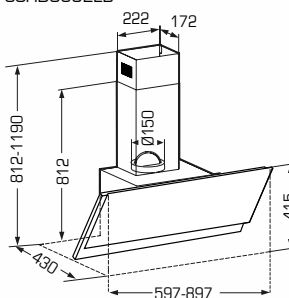
SCHD2A60EBV
SCHD2A90EBV



SCHD2A99AAB



SCHD6652EB
SCHD9652EB



EXTRACTION
HOODS



WALL-MOUNTED DECORATIVE HOODS 90 CM

SCHB9612TB | 529 €*



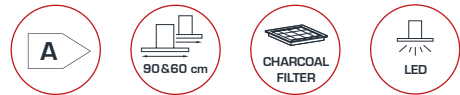
Main features

- Recirculation or exhaust operation
- Stainless steel and black glass finish
- Touch-sensitive controls
- BLDC Inverter motor
- Automatic shut-off function
- Max. airflow: 647 m³/h
- Motor power: 70 W
- Noise level: 59 dB (A)
- 3 speeds + booster
- LED lights, 2 x 1,5 W
- 3 aluminium grease filters
- Charcoal filters included
- Energy efficiency class: A++
- Replacement charcoal filters: CU003556

WALL-MOUNTED DECORATIVE HOODS 60 & 90 CM

SCHB68EX (60 cm) | 411 €*

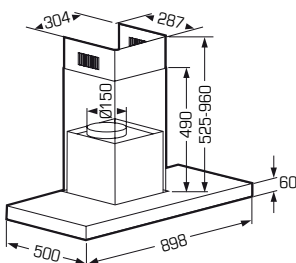
SCHB98EX (90 cm) | 470 €*



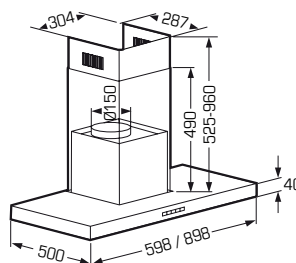
Main features

- Recirculation or exhaust operation
- Stainless steel finish
- Electronic button control
- Max. airflow: 805 m³/h
- Motor power: 250 W
- Noise level: 65 dB (A)
- 3 speeds + booster
- LED lights, 2 x 1,5 W
- 2/3 aluminium grease filters
- Charcoal filters included
- Energy efficiency class: A
- Replacement charcoal filters: CU003556

SCHB9612TB



SCHB68EX
SCHB98EX







ISLAND HOOD

SCHI9602AN | 647 €*



Main features

Recirculation or exhaust operation
 Touch-sensitive controls
 Automatic shut-off function
 Max. airflow: 602 m³/h
 Motor power: 165 W
 Noise level: 61 dB (A)
 3 speeds
 LED lights, 4 x 1,5 W
 3 aluminium grease filters
 Charcoal filters included
 Energy efficiency class: A
 Replacement charcoal filters:
 1.11.01.0009



ISLAND HOOD

SCHI6589AN | 588 €*



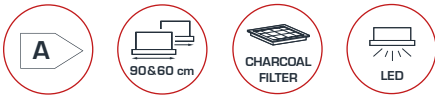
Main features

Recirculation operation
 Touch-sensitive controls
 Automatic shut-off function
 Max. airflow: 589 m³/h
 Motor power: 165 W
 Noise level: 58 dB (A)
 3 speeds
 LED lights, 2 x 1,5 W
 1 aluminium grease filter
 Charcoal filters included
 Energy efficiency class: A
 Replacement charcoal filters:
 1.11.01.0004



TELESCOPIC HOOD

SCHT662AX (60 cm) | 270 €*
 SCHT962AX (90 cm) | 388 €*



Main features

- Recirculation or exhaust operation
- Rocker switch control
- Max. airflow: 620 m³/h
- Motor power: 165 W
- Noise level: 68 dB (A)
- 2 speeds
- LED lights, 2 x 2 W
- 2 aluminium grease filters
- Charcoal filters included
- Energy efficiency class: A
- Replacement charcoal filters: 1.11.01.0004

TELESCOPIC HOOD

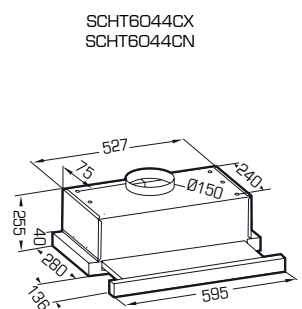
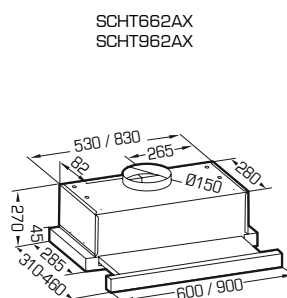
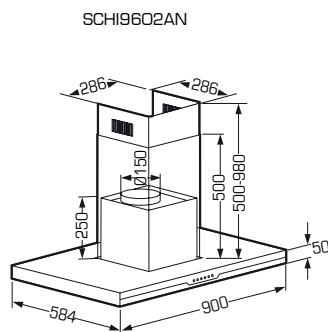
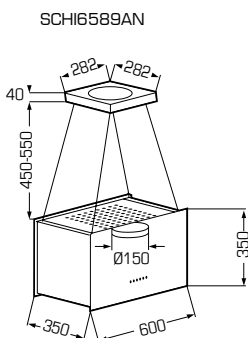
SCHT6044CX (Stainless steel) | 176 €*
 SCHT6044CN (black) | 176 €*



Main features

- Recirculation or exhaust operation
- Slide control
- Max. airflow: 440 m³/h
- Motor power: 105 W
- Noise level: 63 dB (A)
- 3 speeds
- LED lights, 1 x 1,5 W
- 2 aluminium grease filters
- Charcoal filters included
- Energy efficiency class: C
- Replacement charcoal filters: CU003556

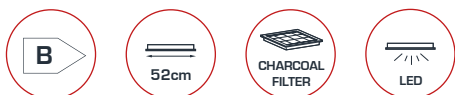
EXTRACTION HOODS





FILTER UNIT

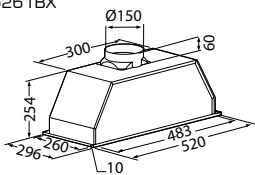
SCHG5261BX | 223 €*



Main features

- Recirculation or exhaust operation
- Electronic button control
- Max. airflow: 575 m³/h
- Motor power: 190 W
- Noise level: 69 dB (A)
- 3 speeds
- LED lights, 2 x 1,5 W
- 2 aluminium grease filters
- Charcoal filters included
- Energy efficiency class: B
- Replacement charcoal filters: CF110

SCHG5261BX



FILTER UNIT

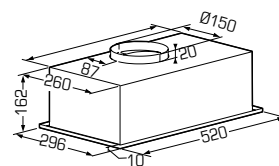
SCGF4330BX | 176 €*



Main features

- Recirculation or exhaust operation
- Slide control
- Max. airflow: 325 m³/h
- Motor power: 65 W
- Noise level: 63 dB (A)
- 3 speeds
- LED lights, 2 x 2 W
- 2 aluminium grease filters
- Charcoal filters included
- Energy efficiency class: B
- Replacement charcoal filters: CF130

SCGF4330BX





CANOPY HOOD

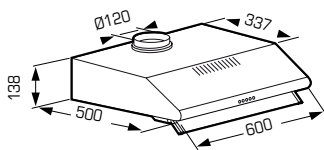
SCHC6400CX | 141 €*



Main features

- Recirculation or exhaust operation
- Manual button control
- Max. airflow: 400 m³/h
- Motor power: 2 x 95 W
- Noise level: 65 dB (A)
- 3 speeds
- LED lights, 2 x 2W
- 2 aluminium grease filters
- Charcoal filters included
- Energy efficiency class: D
- Replacement charcoal filters: 1.11.01.0003

SCHC6400CX



CANOPY HOOD

SCHC6018WH (white) | 105 €*

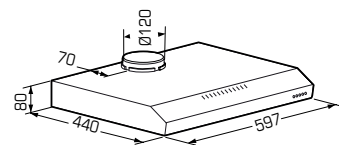
SCHC6018SL (silver) | 105 €*



Main features

- Recirculation or exhaust operation
- Rocker switch control
- Max. airflow: 177 m³/h
- Motor power: 100 W
- Noise level: 65 dB (A)
- 2 speeds
- LED lights, 1 x 1,5 W
- 1 acrylic grease filter
- Charcoal filters included
- Energy efficiency class: C
- Replacement charcoal filters: CU003974

SCHC6018WH
SCHC6018SL



DISHWASHERS







With their silent operation and fully modular design, our appliances are a cut above the rest thanks to their energy efficiency, a real asset that makes everyday life easier while protecting the environment. So, free yourself from the burden of washing up and enjoy your dry, spotless dishware.





Standard installation

Installation with sliding hinges.



SELECT THE FRONT PANEL OF YOUR CHOICE

Thanks to its sliding hinges, the cabinet panel slides over the dishwasher door. This makes it possible to install front panels up to 800 mm high. This reduces the height of the skirting board without causing an obstruction when opening the dishwasher.

This is also the perfect solution for installing a dishwasher at height, thanks to the minimal gap.

ELEVATED INSTALLATION

All the dishwashers in the Schneider range can be installed at an elevated level, so you don't have to bend down to use the dishwasher.



100% MODULAR

The upper rack height of our dishwashers can be adjusted to 2 different positions. Even when the dishwasher is completely full, the rack adapts to your needs and your dishware (pots and pans, large plates, woks, etc.).





TRIPLE SELF-CLEANING FILTER

Our dishwashers are equipped with a triple self-cleaning filter: a filtration system that continuously recycles the used water, ensuring reduced water consumption.

MANAGE YOUR WASH CYCLES

Thanks to a white dot of light on the floor, at all times, you can see whether your dishwasher is still running or if the dishes are ready to be put away.



AUTO STOP FUNCTION

To save energy, the dishwasher will switch itself off 15 minutes after the end of the programme if not activated by the user.



REMOVABLE CUTLERY TRAY

Models with a cutlery tray allow more space for large utensils and plates in the lower rack, allowing dishware for 14 place settings to be washed at the same time. This removable tray can be placed on the worktop, making it easier to empty the dishwasher.





PLAN AHEAD WITH THE DELAYED START FUNCTION

Thanks to the Delayed Start function, you can programme your wash cycle up to 24 hours in advance to suit your schedule or to take advantage of off-peak rates.

TALL MODEL OF 86 CM WITH INTERIOR LIGHTING

With the space-saving lower rack, large plates up to 33 cm in diameter can go in the dishwasher. The taller models have up to 4 LED lights which improve visibility inside the dishwasher.



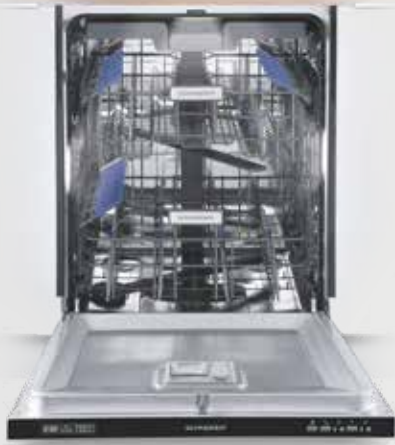
STAINLESS STEEL INTERIOR FOR HIGH-RESISTANCE

All our dishwashers are fitted with a resistant and non-oxidisable stainless steel interior; this material ensures your appliance will last longer.

AUTOMATIC OPENING

At the end of the drying cycle, the dishwasher will open to allow any remaining moisture to escape. This ensures a better drying performance with no additional energy consumption.





FULLY INTEGRATED DISHWASHER

SCLT6842CB | 941 €*

Available from July 2021



Main features

- 16 place settings
- XXL: 85,7 cm high
- Interior lighting: 4 x LED
- Cutlery tray
- Display on top edge of door
- Induction motor
- Automatic door opening at end of cycle
- Energy class: A+++
- Energy class 2021: C
- Noise level: 42 dB
- Water consumption: 9.5 litres/cycle
- 8 programmes: auto, intensive, universal, eco, rapid, glass, rinse, 1 hour
- Extra dry option
- Delayed start of 1-24h
- Half load option
- Racks with folding spikes
- Height-adjustable upper rack

Comfort and safety

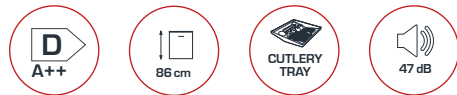
- Overflow safety device
- Salt level indicator
- Rinse aid level indicator
- Time remaining display
- Adjustable feet
- Automatic detergent dispenser



FULLY INTEGRATED DISHWASHER

SCLT6847DB | 705 €*

Available from July 2021



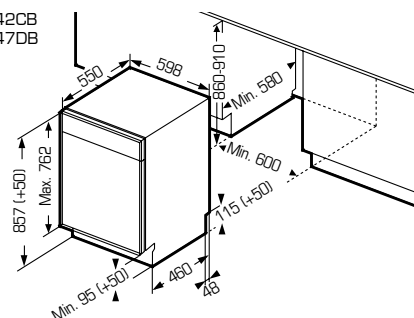
Main features

- 16 place settings
- XXL: 85,7 cm high
- Interior lighting: 2 x LED
- Cutlery tray
- Display on top edge of door
- Automatic door opening at end of cycle
- Energy class: A++
- Energy class 2021: D
- Noise level: 47 dB
- Water consumption: 9.5 litres/cycle
- 4 programmes: intensive, eco, 90-minutes, rapid
- Delayed start 3/6/9/12h
- Half load option
- Racks with folding spikes
- Height-adjustable upper rack

Comfort and safety

- Overflow safety device
- Salt level indicator
- Rinse aid level indicator
- Adjustable feet
- Automatic detergent dispenser

SCLT6842CB
SCLT6847DB





FULLY INTEGRATED DISHWASHER

SCDWF442CC | 764 €*



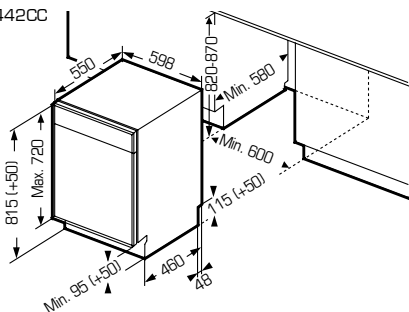
Main features

- 14 place settings
- Cutlery tray
- Display on top edge of door
- Induction motor
- Automatic door opening at end of cycle
- Energy class: A+++
- Energy class 2021: C
- Noise level: 42 dB
- Water consumption: 10 litres/cycle
- 8 programmes: auto, intensive, universal, eco, 90 minutes, rapid, glass, rinse
- Extra dry option
- + Turbo speed option
- Delayed start of 1-24h
- Half load option
- Racks with folding spikes
- Height-adjustable upper rack

Comfort and safety

- Overflow safety device
- Salt level indicator
- Rinse aid level indicator
- Time remaining display
- Adjustable feet
- Automatic detergent dispenser

SCDWF442CC



FULLY INTEGRATED DISHWASHER

SCDWF444DS | 764 €*



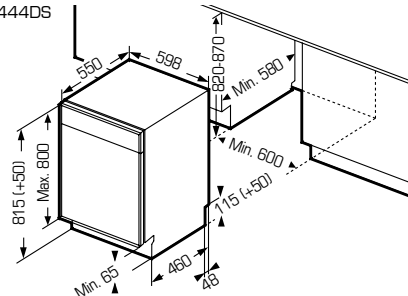
Main features

- 14 place settings
- Cutlery tray
- Display on top edge of door
- Automatic door opening at end of cycle
- Energy class: A++
- Energy class 2021: D
- Noise level: 44 dB
- Sliding hinges
- Water consumption: 10 litres/cycle
- 8 programmes: auto, intensive, universal, eco, 90 minutes, rapid, glass, rinse
- Extra dry option
- Delayed start of 1-24h
- Half load option
- Racks with folding spikes
- Height-adjustable upper rack

Comfort and safety

- Overflow safety device
- Salt level indicator
- Rinse aid level indicator
- Time remaining display
- Adjustable feet
- Automatic detergent dispenser

SCDWF444DS





FULLY INTEGRATED DISHWASHER

SCDW644DIC | 729 €*



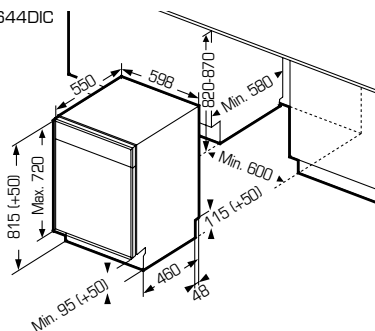
Main features

- 14 place settings
- Cutlery tray
- Display on top edge of door
- Energy class: A++
- Energy class 2021: D
- Noise level: 44 dB
- LED info: dot of light on floor indicates when dishwasher is running
- Water consumption: 10 litres/cycle
- 8 programmes: auto, intensive, universal, eco, 90 minutes, rapid, glass, rinse
- Extra dry option
- + Turbo speed option
- Delayed start of 1-24h
- Half load option
- Racks with folding spikes
- Height-adjustable upper rack

Comfort and safety

- Overflow safety device
- Salt level indicator
- Rinse aid level indicator
- Time remaining display
- Adjustable feet
- Automatic detergent dispenser

SCDW644DIC



FULLY INTEGRATED DISHWASHER

SCDW644DCU | 705 €*



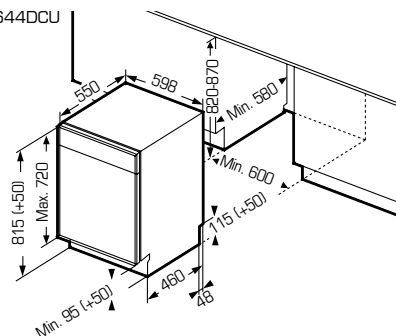
Main features

- 14 place settings
- Cutlery tray
- Display on top edge of door
- Energy class: A++
- Energy class 2021: D
- Noise level: 44 dB
- Water consumption: 10 litres/cycle
- 8 programmes: auto, intensive, universal, eco, 90 minutes, rapid, glass, rinse
- Extra dry option
- + Turbo speed option
- Delayed start of 1-24h
- Half load option
- Racks with folding spikes
- Height-adjustable upper rack

Comfort and safety

- Overflow safety device
- Salt level indicator
- Rinse aid level indicator
- Time remaining display
- Adjustable feet
- Automatic detergent dispenser

SCDW644DCU





FULLY INTEGRATED DISHWASHER

SCDW644D00 | 647 €*



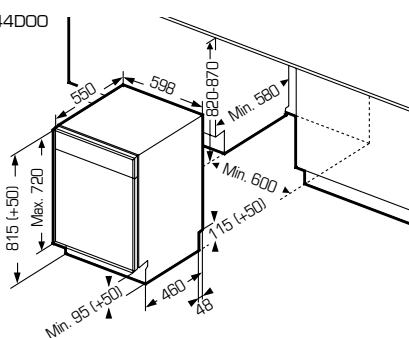
Main features

- 14 place settings
- Display on top edge of door
- Energy class: A++
- Energy class 2021: D
- Noise level: 44 dB
- Water consumption: 10 litres/cycle
- 6 programmes: intensive, universal, eco, 90 minutes, rapid, glass
- Delayed start of 1-24h
- Half load option
- Racks with folding spikes
- Height-adjustable upper rack

Comfort and safety

- Overflow safety device
- Salt level indicator
- Rinse aid level indicator
- Time remaining display
- Adjustable feet
- Automatic detergent dispenser

SCDW644D00



FULLY INTEGRATED DISHWASHER

SCLT6247G | 588 €*



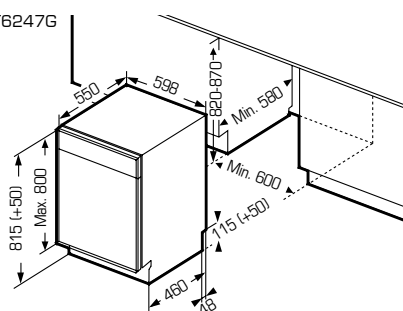
Main features

- 12 place settings
- Energy class: A++
- Energy class 2021: E
- Noise level: 47 dB
- Sliding hinges
- Water consumption: 11 litres/cycle
- 4 programmes: intensive, eco, 90 minutes, rapid
- Delayed start 3/6/9/12h
- Half load option
- Racks with folding spikes
- Height-adjustable upper rack

Comfort and safety

- Overflow safety device
- Salt level indicator
- Rinse aid level indicator
- Adjustable feet
- Automatic detergent dispenser

SCLT6247G





FULLY INTEGRATED DISHWASHER

SCLT6247XO | 529 €*



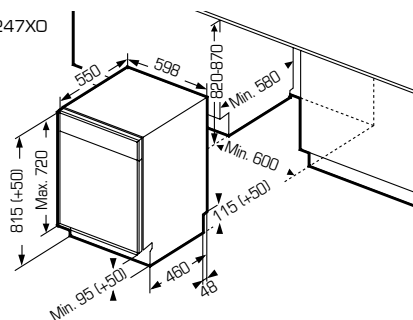
Main features

- 12 place settings
- Display on top edge of door
- Energy class: A++
- Energy class 2021: E
- Noise level: 47 dB
- Water consumption: 11 litres/cycle
- 4 programmes:
intensive, eco, 90 minutes, rapid
- Delayed start 3/6/9/12h
- Half load option
- Racks with folding spikes
- Height-adjustable upper rack

Comfort and safety

- Overflow safety device
- Salt level indicator
- Rinse aid level indicator
- Adjustable feet
- Automatic detergent dispenser

SCLT6247XO



FULLY INTEGRATED DISHWASHER

SCLT5044DG | 705 €*



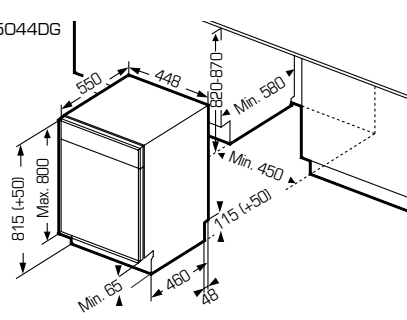
Main features

- 10 place settings
- Cutlery tray
- Display on top edge of door
- Automatic door opening at end of cycle
- Energy class: A++
- Energy class 2021: D
- Noise level: 44 dB
- Sliding hinges
- Water consumption: 10 litres/cycle
- 5 programmes: auto, intensive, eco, 90 minutes, rapid
- Delayed start of 1-24h
- Half load option
- Racks with folding spikes
- Height-adjustable upper rack

Comfort and safety

- Overflow safety device
- Salt level indicator
- Rinse aid level indicator
- Adjustable feet
- Automatic detergent dispenser

SCLT5044DG





FULLY INTEGRATED DISHWASHER

SCLT5947EG | 647 €*



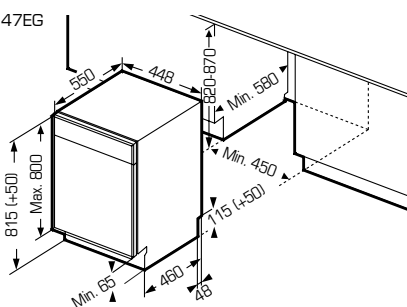
Main features

- 9 place settings
- Display on top edge of door
- Energy class: A++
- Energy class 2021: E
- Noise level: 47 dB
- Sliding hinges
- Water consumption: 9 litres/cycle
- 5 programmes: auto, intensive, eco, 90 minutes, rapid
- Delayed start of 1-24h
- Half load option
- Racks with folding spikes
- Height-adjustable upper rack

Comfort and safety

- Overflow safety device
- Salt level indicator
- Rinse aid level indicator
- Adjustable feet
- Automatic detergent dispenser

SCLT5947EG



FULLY INTEGRATED DISHWASHER

SCDW504D00 | 647 €*



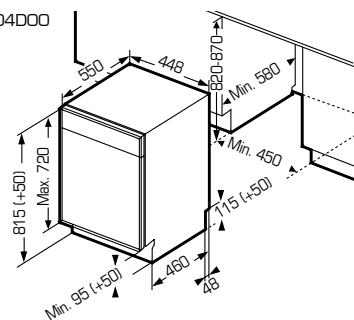
Main features

- 10 place settings
- Display on top edge of door
- Energy class: A++
- Energy class 2021: D
- Noise level: 44 dB
- Water consumption: 8 litres/cycle
- 8 programmes: auto, intensive, universal, eco, 90 minutes, rapid, glass, rinse
- Delayed start of 1-24h
- Half load option
- Racks with folding spikes
- Height-adjustable upper rack

Comfort and safety

- Overflow safety device
- Salt level indicator
- Rinse aid level indicator
- Adjustable feet
- Automatic detergent dispenser

SCDW504D00



WASHING MACHINES







Whether power-washing your bed linen or cleaning your favourite clothes, washing textiles requires special care adapted to each material. It's not just the many programmes and functions that make Schneider washing machines so efficient, their technical characteristics ensure they are also energy efficient, quiet and built to last.





WASHING MACHINES

ENERGY EFFICIENT WASHING MACHINES

Schneider washing machines are designed for economical and eco-friendly use, offering the following advantages: the automatic variable capacity system which is used to adapt water and electricity consumption to the amount of laundry, the more economical and silent inverter motor and the specific programmes for different needs.



1H – WASH AND DRY

With our integrated washer-dryer, you can wash and dry small loads of laundry in just 1 hour!

FAVOURITE PROGRAMME

Once the washing cycle options have been selected, it's easy to save them by pressing the favourites button. With this function, you can activate the most frequently used wash cycle settings at the simple touch of a button.



BLADES & DRUM

The movement generated by the "S" shaped blades and the drum's crystal surface ensures perfect washing results, while caring for your laundry.

RAPID

The rapid programme can be used to wash small loads of laundry in just 15 minutes, while reducing energy consumption.





WASHING MACHINES



COTTON 90°

Cotton fibres are extremely resistant and can withstand high washing temperatures. This programme is specially designed to eliminate the microorganisms that can accumulate in household linen (towels, sheets, dishcloths, etc.). It is suitable for white linen or linen whose colours do not bleed.

OUT-OF-BALANCE DETECTION

For optimum machine stability, the out-of-balance detection feature automatically adjusts the spin speed according to the position of the laundry in the drum.



DELAYED START UP TO 24H

With this option, you can programme your wash or dry cycle in advance. This ensures your laundry will be clean and dry at the required time.

INVERTER MOTOR

With its magnetic field operation, the inverter motor is equipped with a direct drum drive system, which limits vibration and mechanical friction. This mechanism inflicts less wear and tear on the appliance, thus extending its life. As a result, it is up to 30% quieter than a standard motor because of the lack of mechanical friction, and energy consumption is reduced by 25%.



WOOL

A programme specifically designed to care for woollen textiles, maintaining the fabric's softness and colour intensity.



BUILT-IN WASHING MACHINE

SCWM1814 | 764 €*



Main features

- Washing capacity: 8 kg
- Max. spin speed: 1,400 rpm
- Electronic programmer
- White LED display
- 16 programmes: Intensive, Cotton, ECO 40-60, 20°, Rapid 15', Rapid 45', Rinse & Spin, Baby, Sports, Mixed, Delicates, Wool, Denim, Spin, Favourites
- Delayed start 0 - 24h
- Prewash
- Extra rinse
- Temperatures: Cold/20°C/30°C/40°C/60°C/90°C
- Out-of-balance detection
- Foam detection
- Beep sounds at end of programme
- Adjustable feet

Technical information

- Energy class: A+++
- Washing energy class 2021: B

BUILT-IN WASHER-DRYER

SCWDI8614 | 941 €*

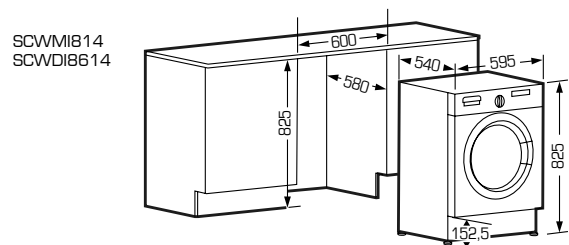


Main features

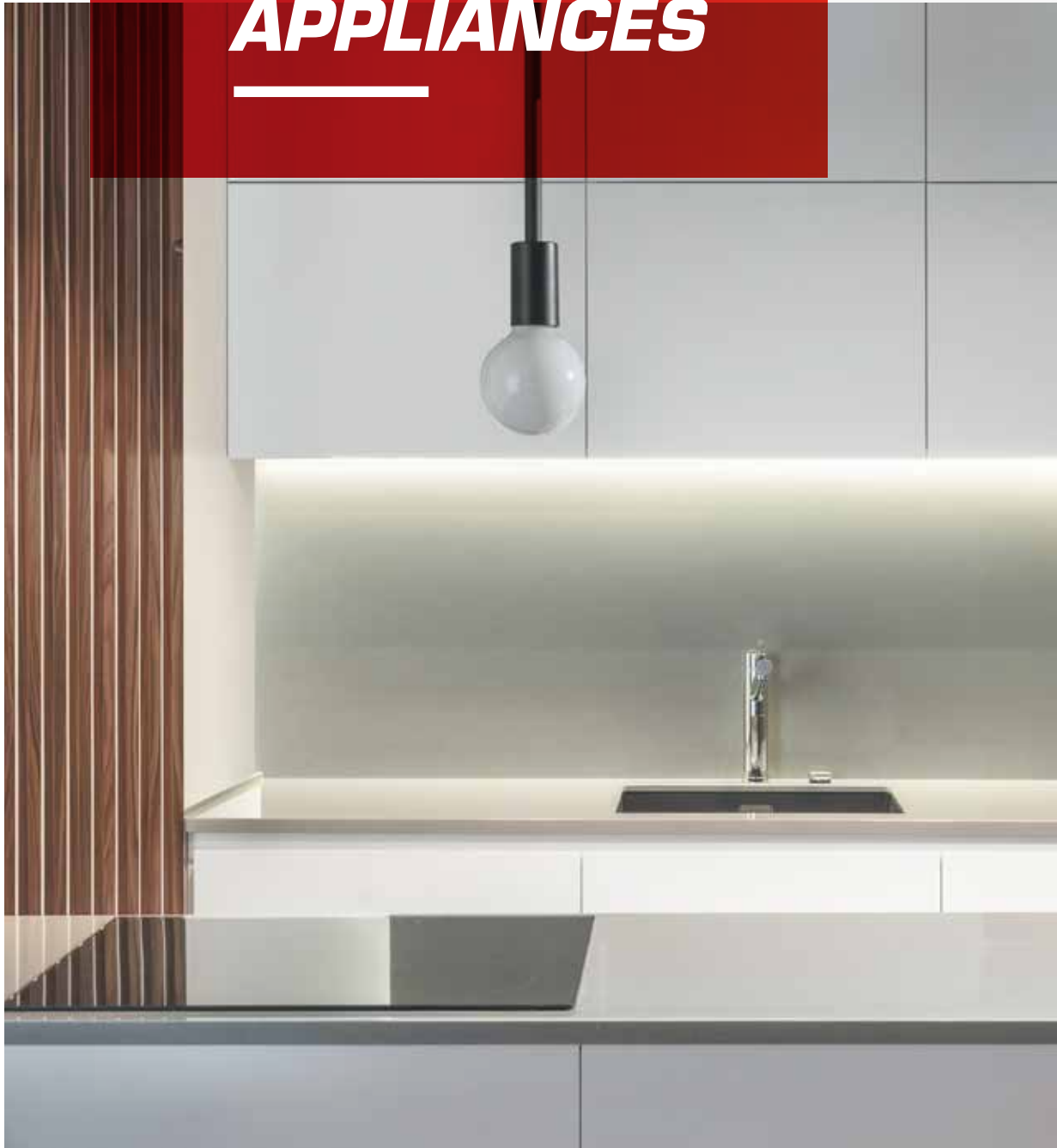
- 8 kg washing/6 kg drying capacity
- Max. spin speed: 1,400 rpm
- Electronic programmer
- White LED display
- 16 programmes: Intensive, Cotton, ECO 40-60, 20°, Rapid 15', Rinse & Spin, Baby, Sports, Mixed, Wool, Denim, Spin, Favourites, Washing & Drying, 1h Washing & Drying, Drying
- Delayed start 0 - 24h
- Prewash
- Extra rinse
- Temperatures: Cold/20°C/30°C/40°C/60°C/90°C
- Out-of-balance detection
- Foam detection
- Beep sounds at end of programme
- Adjustable feet

Technical information

- Energy class: A
- Washing energy class 2021: B
- Washing and drying energy class 2021: E



COOLING APPLIANCES







With its wide range of refrigerators and freezers, Schneider offers solutions for all types of kitchen: built-in or freestanding, small or large capacity, modern or vintage, etc.

What's more, the advanced technology with specific compartments for each type of food enables storage in optimal conditions whilst limiting energy consumption.





REFRIGERATORS



NO FROST COOLING

The No Frost technology reduces moisture inside the appliance: it's a dry cold which circulates evenly to chill all food equally and quickly. It also makes it easier to maintain your appliance: there's no need to defrost your freezer, it does so automatically.

AIRFLOW COOLING

With a fridge-freezer equipped with an airflow ventilation system, you can store food wherever you like because the temperature stays the same in all the compartments. More energy efficient than a conventional appliance, airflow cooling preserves the nutritional properties of food by maintaining a balanced level of moisture.



TWIN TECHNOLOGY

This technology combines airflow cooling to maintain a balanced moisture level in the refrigerator and No Frost cooling in the freezer section for efficient freezing without frost. Two types of cooling combined to create the perfect conditions for preserving food!



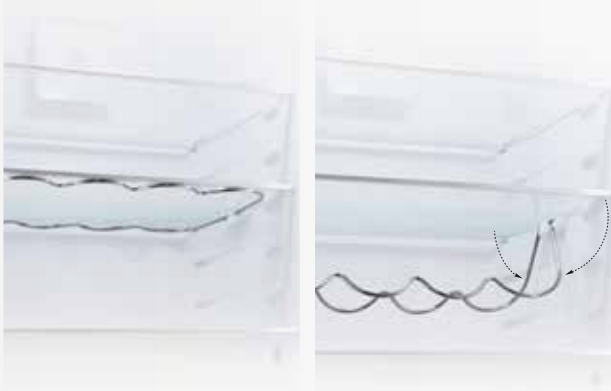
TWO SPECIAL STORAGE ZONES

The ChefZone compartment helps preserve the most perishable types of food, such as meat or fish, in optimal conditions.

The VitaminZone compartment is for storing fruit and vegetable. The controlled temperature and adjustable humidity function provide the best possible storage conditions. What's more, our appliances are designed with a rail structure, making them much easier to use.

REMOVABLE SEAL

With the removable seal, cleaning your fridge is easy. It can simply be removed and replaced by hand. This practical item can easily be replaced to extend the life of your appliance.



FOLDABLE BOTTLE RACK

This rack is used to store bottles in a stable, horizontal position, freeing up your storage space whilst remaining within easy reach. Even more flexible in our built-in range, this shelf folds down for increased storage capacity.



ELECTRONIC CONTROL PANEL

*LED CEILING
AND SIDE LIGHTING*

*FOLDABLE
BOTTLE RACK*

*ChefZone
COMPARTMENT*

*VitaminZone
COMPARTMENT*



SUPER CHILL/SUPER FREEZE

If the fridge or freezer door has been left open for a long time (e.g. to store groceries), activate the super chill or super freeze function to quickly lower the temperature (to 2°C for the refrigerator, -25°C for the freezer). This helps to preserve food that has already been stored and chills recently-added food more quickly. This function is automatically deactivated after 24 hours.

ALARM

Schneider refrigerators are equipped with two types of alarm:

- the open door alarm: a beeping sound when the door has been left open for one minute.
- the temperature alarm indicates when the freezer temperature is abnormally high (-3°C).



HOLIDAY FUNCTION

If you are planning a long absence without perishable food in the refrigerator, use the holiday function which helps you to save money by increasing the fridge temperature to 17°C, while the freezer temperature remains at 18°C.



90° OPENING

Ingenious! Even if your appliance is wedged into the tightest of corners, it's still easy to access its contents. The 90° opening angle of the door is sufficient to open the drawers and integrating your refrigerator into your kitchen is even easier.



LED CEILING AND SIDE LIGHTING

In combination with the ceiling lights, large LED strips have been added to the sides of the appliance, providing excellent visibility of the refrigerator's interior at all levels.



SMART MODE

The Smart button automatically adjusts the temperatures of the two compartments - the fridge to 5°C and the freezer to -18°C.

TALL
HEIGHT



BUILT-IN FRIDGE-FREEZER

SCRCI193BN | 941 €*



Main features

Energy class: A+

Energy class 2021: F

Total net capacity: 281 l

of which refrigerator/freezer ****: 225 l/56 l

Forced air refrigerator with automatic defrost

No Frost freezer

Door fitted with sliding hinges

Electronic control

Interior equipment

Silver interior finish

Foldable bottle rack

4 shelves including 3 height-adjustable shelves

Safety-glass shelves

4 balconies

1 "ChefZone" drawer for meat and fish

1 "VitaminZone" drawer with humidity control

3 drawers in the freezer

LED interior lighting

Open door alarm (refrigerator) and high temperature

alarm (freezer)

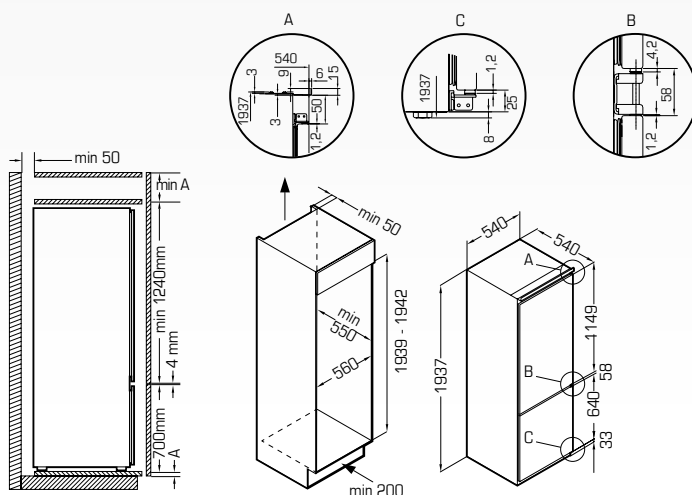
Technical information

Noise level: 41 dB

Reversible doors

90° door opening

Adjustable front feet



BUILT-IN FRIDGE-FREEZER

SCRCI241NN | 941 €*



Main features

Energy class: A+

Energy class 2021: F

Total net capacity: 241 l

of which refrigerator + FreshZone/freezer *****:
151 l + 26 l / 64 l

No Frost refrigerator and freezer

Door fitted with sliding hinges

Premium electronic control

Interior equipment

Silver interior finish

4 shelves including 3 height-adjustable shelves

Safety-glass shelves

3 balconies

1 "ChefZone" drawer for meat and fish

1 "VitaminZone" drawer with humidity control

LED interior lighting

3 drawers in the freezer

Holiday function

Super chill and super freeze functions

Open door alarm (refrigerator) and high temperature
alarm (freezer)

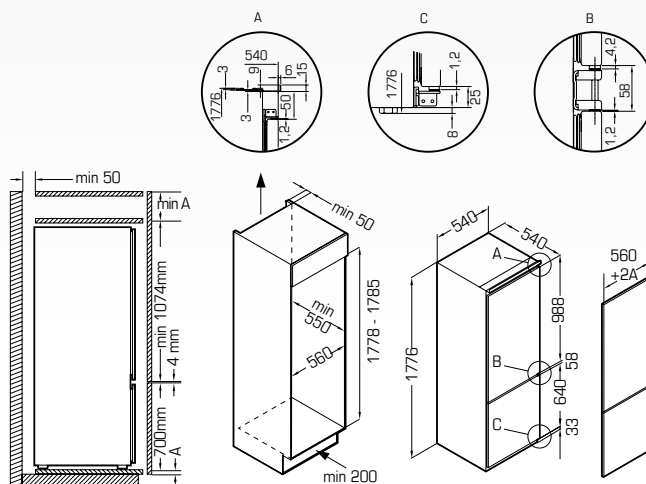
Technical information

Noise level: 39 dB

Reversible doors

90° door opening

Adjustable front feet



BUILT-IN FRIDGE-FREEZER

SCRCA177BN | 882 €*



Main features

Energy class: A+

Energy class 2021: F

Total net capacity: 246 l

of which refrigerator/freezer ****: 190 l/56 l

Forced air refrigerator with automatic defrost

No Frost freezer

Door fitted with sliding hinges

Electronic control

Interior equipment

Silver interior finish

Foldable bottle rack

4 shelves including 3 height-adjustable shelves

Safety-glass shelves

3 balconies

1 "ChefZone" drawer for meat and fish

1 "VitaminZone" drawer with humidity control

LED interior ceiling and side lighting

Holiday function

Super chill and super freeze functions

Open door alarm (refrigerator) and high temperature alarm (freezer)

Technical information

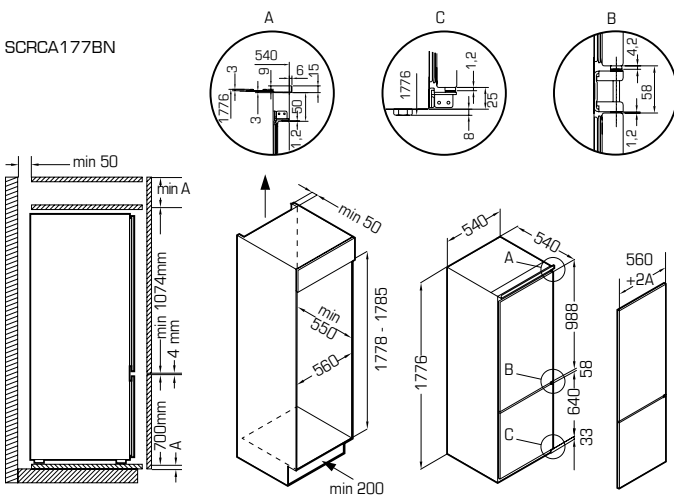
Noise level: 41 dB

Reversible doors

90° door opening

Adjustable front feet

SCRCA177BN



BUILT-IN FRIDGE-FREEZER

SCRCA177BS (F) | **764 €***

SCRCA277BS (E) | **823 €***



Main features

Energy class ref. CRCA177BS : A+ / F (2021)

Energy class ref. SCRCA277BS : A++ / E (2021)

Total net capacity: 250 l
of which refrigerator/freezer ****: 190 l/60 l

Forced air refrigerator with automatic defrost

Static freezer

Door fitted with sliding hinges

Electronic control

Interior equipment

Silver interior finish

Foldable bottle rack

5 shelves including 4 height-adjustable shelves

Safety-glass shelves

3 balconies

1 "VitaminZone" drawer with humidity control

LED interior ceiling and side lighting

Open door alarm (refrigerator) and high temperature alarm (freezer)

Technical information

Noise level: 39 dB

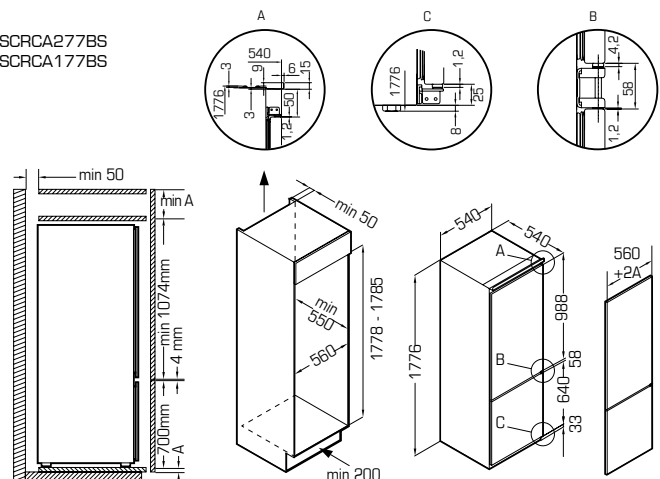
Reversible doors

90° door opening

Adjustable front feet



SCRCA277BS
SCRCA177BS





BUILT-IN FRIDGE-FREEZER

SCRC77SSA (F) | 647 €*

SCRC77SAI (E) | 764 €*



Main features

Energy class: ref. SCRC77SSA : A+ /F (2021)

Energy class ref. SCRC77SAI : A++ /E (2021)

Total net capacity: 249 l

of which refrigerator/freezer ****: 179 l/70 l

Static refrigerator with automatic defrost

Static freezer

Door fitted with sliding hinges

Electronic control

Interior equipment

Silver interior finish

4 shelves including 3 height-adjustable shelves

Safety-glass shelves

3 balconies

1 "FreshZone" drawer for fruit and vegetable

LED interior lighting

Super freeze function

Open door alarm

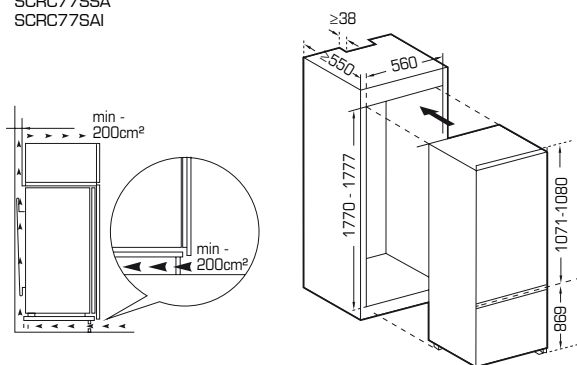
Technical information

Noise level: 39 dB

Reversible doors

90° door opening

SCRC77SSA
SCRC77SAI



BUILT-IN 1-DOOR REFRIGERATOR 178 CM

SCRLA177BO (F) | 823 €*

SCRLA277BO (E) | 882 €*



Main features

Energy class ref. SCRLA177BO : A+ / F (2021)

Energy class ref. SCRLA277BO : A++ / E (2021)

Total net capacity: 316 l

Forced air refrigerator with automatic defrost

Door fitted with sliding hinges

Electronic control

Interior equipment

Silver interior finish

Foldable bottle rack

6 shelves including 5 height-adjustable shelves

Safety-glass shelves

5 balconies

2 "FreshZone" drawers for fruit and vegetable

LED interior ceiling and side lighting

Open door alarm

Technical information

Noise level: 39 dB

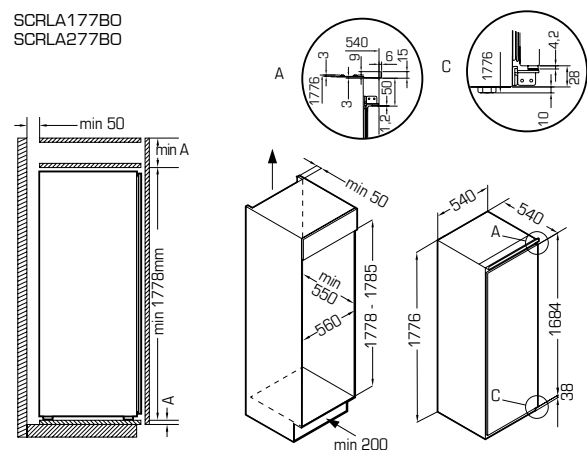
Reversible doors

90° door opening

Adjustable front feet



SCRLA177BO
SCRLA277BO



BUILT-IN 1-DOOR REFRIGERATOR 122 CM

SCRF122EA2 | 564 €*



Main features

Energy class : A++

Energy class 2021: E

Total net capacity: 179 l
of which refrigerator/freezer ****: 163 l/16 l

Static refrigerator
with automatic defrost

Static freezer

Door fitted with sliding hinges

Electronic control

Interior equipment

Silver interior finish

3 shelves

Safety-glass shelves

3 balconies

1 "FreshZone" drawer for fruit and vegetable

LED interior lighting

Open door alarm

Technical information

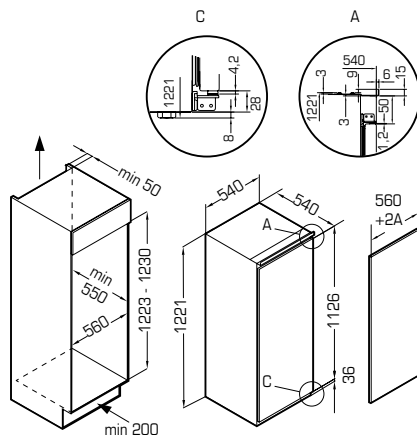
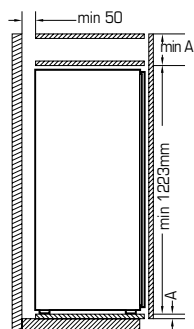
Noise level: 39 dB

Reversible doors

90° door opening

Adjustable front feet

SCRF122EA2



BUILT-IN 1-DOOR REFRIGERATOR 122 CM

SCRL122EA2 | 564 €*



Main features

Energy class: A++
 Energy class 2021: E
 Total net capacity: 197 l
 Static refrigerator
 with automatic defrost
 Door fitted with sliding hinges
 Electronic control

Interior equipment

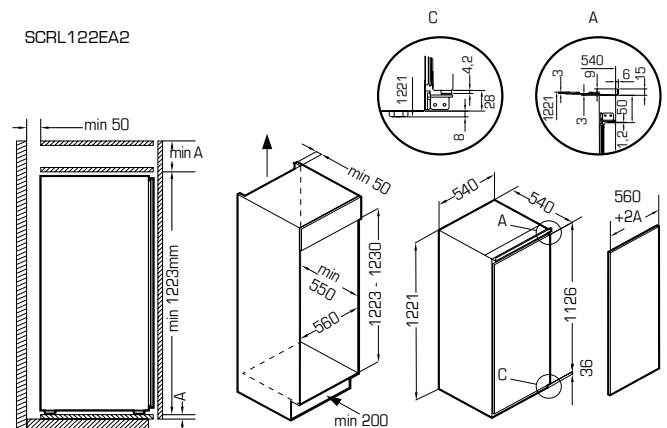
Silver interior finish
 4 shelves
 Safety-glass shelves
 3 balconies
 1 "FreshZone" drawer for fruit and
 vegetable
 LED interior lighting
 Open door alarm

Technical information

Noise level: 39 dB
 Reversible doors
 90° door opening
 Adjustable front feet



SCRL122EA2





BUILT-IN 1-DOOR REFRIGERATOR 88 CM

SCRL882ASO | 447 €*



Main features

Energy class: A++
 Energy class 2021: E
 Total net capacity: 135 l
 Static refrigerator with automatic defrost
 Door fitted with sliding hinges
 Mechanical control

Interior equipment

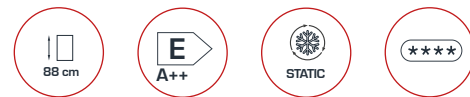
Silver interior finish on shelves
 3 shelves including 1 height-adjustable shelf
 Safety-glass shelves
 3 balconies
 1 "FreshZone" drawer for fruit and vegetable
 LED interior lighting

Technical information

Noise level: 39 dB
 Reversible door
 90° door opening
 Adjustable front feet
 Reversible doors

BUILT-IN 1-DOOR REFRIGERATOR 88 CM

SCRF882ASO | 447 €*



Main features

Energy class: A++
 Energy class 2021: E
 Total net capacity: 116 l
 of which refrigerator/freezer ****: 100 l/16 l
 Static refrigerator with automatic defrost
 Door fitted with sliding hinges
 Mechanical control

Interior equipment

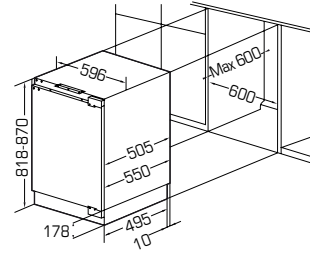
Silver interior finish on shelves
 2 shelves including 1 height-adjustable shelf
 Safety-glass shelves
 3 balconies
 1 "FreshZone" drawer for fruit and vegetable
 LED interior lighting

Technical information

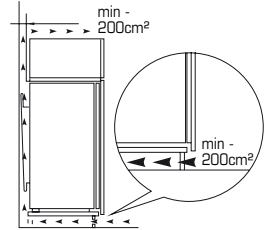
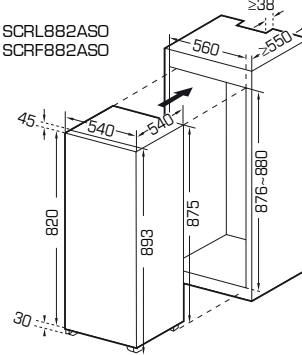
Noise level: 39 dB
 Reversible doors
 90° door opening
 Adjustable front feet



SCRF482SEF



SCRL882ASO
SCRF882ASO



BUILT-IN UNDER-COUNTER REFRIGERATOR 82 CM

SCRF482SEF | 564 €*



Main features

Energy class: A+

Energy class 2021: F

Total net capacity: 111 l
of which refrigerator/freezer ****: 95 l/16 l

Static refrigerator with automatic defrost

Static freezer

Door fitted with pantograph hinges

Electronic control

Interior equipment

2 shelves including 1 height-adjustable shelf

Safety-glass shelves

2 balconies

Additional storage under lower shelf

LED interior lighting

Open door alarm

Technical information

Noise level: 40 dB

Reversible door

90° door opening

Adjustable front feet



COOLING APPLIANCES

CONTEMPORARY

Collection



Opt for contemporary minimalist elegance!

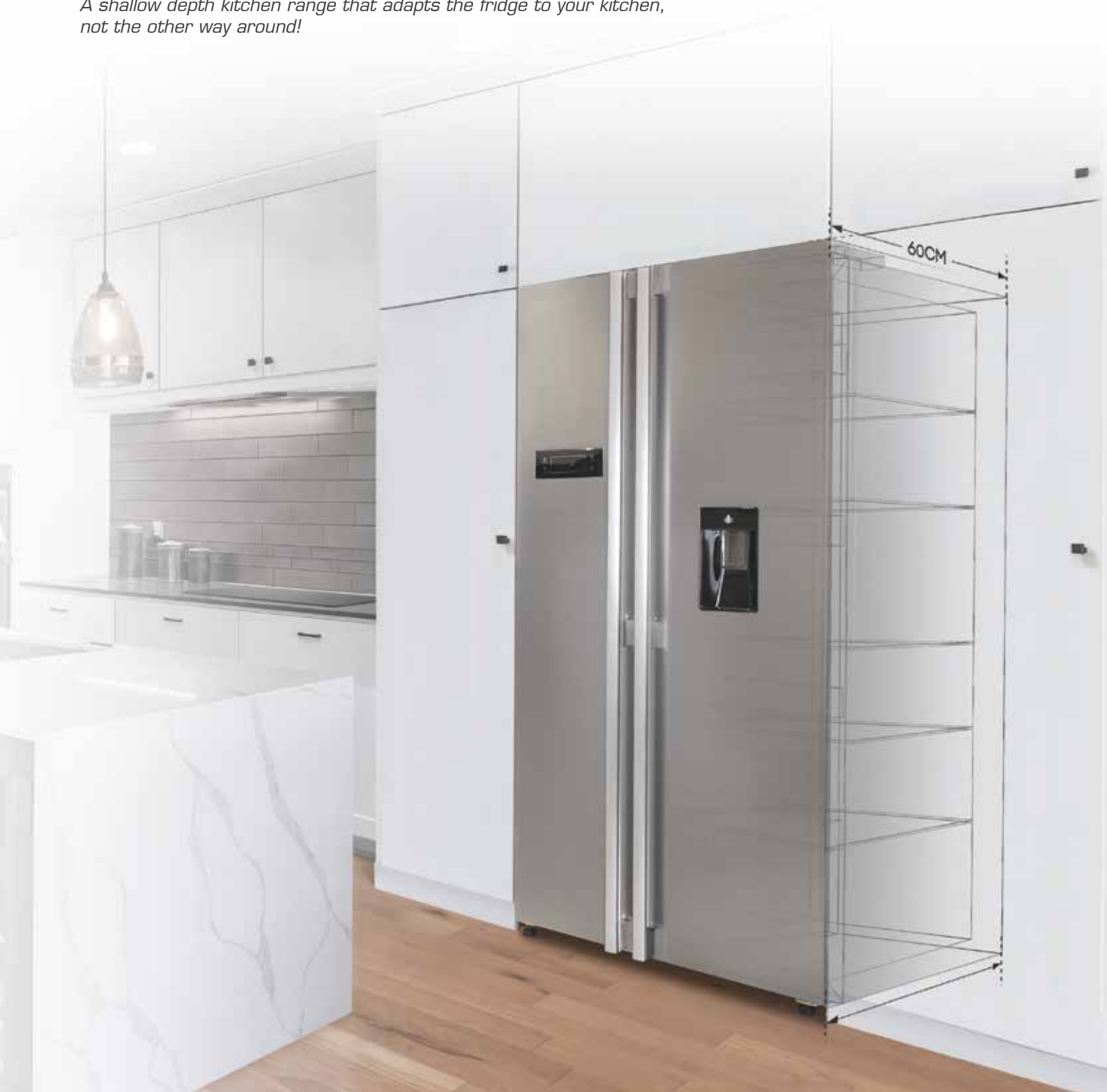
With sleek lines, built-in handle and stainless steel or Dark Inox finish, you'll love the timeless, functional and modular design of the refrigerators in our contemporary range: their understated and elegant style blends perfectly with any type of kitchen.





Kitchen Fit design

A shallow depth kitchen range that adapts the fridge to your kitchen, not the other way around!



DEPTH OF 60/62 cm AVAILABLE ON 3 DIFFERENT STRUCTURES.



SIDE BY SIDE



MULTI-DOOR



FRIDGE-FREEZER



SCUS465IDNFX

CONTEMPORARY
Collection

AMERICAN TOTAL NO FROST REFRIGERATOR 516 L

SCUS465IDNFX (stainless steel) | 1,646 €*



Main features

Energy class: A+
Energy class 2021: F
516 litres (334 / 182)
Cooling type: No Frost
Interior lighting
Adjustable thermostat
Inverter motor

Refrigerator

Defrost: Automatic
Shelf type: Glass
4 shelves, 2 vegetable crisper drawers,
5 balconies

Freezer

3 shelves, 2 drawers, 3 balconies
Auto-defrost
Freezing capacity: 12 Kg / 24 h
Autonomy in case of power failure: 6 h

Technical information

Noise level: 40 dB(A)
Climate class: SN / T
W x H x D: 89,5 x 178,8 x 74,5 cm



SCSBSWD529NFX



SCSBSWD529NFDAX

CONTEMPORARY
Collection

SIDE BY SIDE TOTAL NO FROST REFRIGERATOR 529 L

SCSBSWD529NFX (stainless steel) | 1,294 €*

SCSBSWD529NFDAX (dark stainless steel) | 1,410 €*

Available from July 2021



Main features

Energy class: A++
Energy class 2021: E
529 litres (344 / 185)
Cooling type: No Frost
Interior lighting
Adjustable thermostat
Inverter motor

Refrigerator

Defrost: Automatic
Cold water dispenser
Shelf type: Glass
5 shelves, 1 vegetable crisper drawer,
4 door shelves

Freezer

1 drawer, 5 shelves, 4 balconies
Twist & Ice
Auto-defrost
Freezing capacity: 14 Kg / 24 h
Autonomy in case of power failure: 9 h

Technical information

Noise level: 39 dB(A)
Climate class: SN / ST
W x H x D: 90,5 x 177 x 67 cm



SCSBSWD436NFX



SCSBSWD436NFDAX



CONTEMPORARY
Collection

SIDE BY SIDE TOTAL NO FROST REFRIGERATOR 439 L

SCSBSWD436NFX (stainless steel) | 1,058 €*

SCSBSWD436NFDAX (dark stainless steel) | 1,176 €*

Available from June 2021



Main features

Energy class: A+
Energy class 2021: F
439 litres (288 / 151)
Cooling type: No Frost
Interior lighting
Adjustable thermostat
Inverter motor

Refrigerator

Defrost: Automatic
Cold water dispenser
Shelf type: Glass
5 shelves, 1 vegetable crisper drawer,
4 balconies

Freezer

5 shelves, 1 drawer, 4 door shelves
Auto-defrost
Freezing capacity: 11 Kg / 24 h
Autonomy in case of power failure: 9,5 h

Technical information

Noise level: 40 dB(A)
Climate class: SN / ST
W x H x D: 90,5 x 177 x 59,5 cm



SCMD362NFX

CONTEMPORARY
Collection

TOTAL NO FROST MULTI-DOOR REFRIGERATOR 362 L

SCMD362NFX (stainless steel) | 1176 €*
Available from July 2021



Main features

Energy class: A++
Energy class 2021: E
362 litres (237 / 125)
Cooling type: No Frost
Interior lighting
Adjustable thermostat
Inverter motor

Refrigerator

Defrost: Automatic
Shelf type: Glass
3 shelves, 1 vegetable crisper drawer,
4 balconies

Freezer

4 drawers, 2 trays
Auto-defrost
Freezing capacity: 10 Kg / 24 h
Autonomy in case of power failure: 10 h

Technical information

Noise level: 39 dB(A)
Climate class: SN / ST
W x H x D: 80 x 180 x 62 cm



SCCB347DNF3X

CONTEMPORARY
Collection

TOTAL NO FROST FRIDGE-FREEZER 347 L

SCCB347DNF3X (stainless steel) | 941 €*

Available from July 2021



Main features

Energy class: A+++
 Energy class 2021: D
 347 litres (243 / 104)
 Cooling type: No Frost
 Interior lighting
 Adjustable thermostat
 Inverter motor

Refrigerator

Defrost: Automatic
 Shelf type: Glass
 3 shelves, 1 vegetable crisper drawer, 1
 drawer 0/3°C, 3 balconies

Freezer

3 drawers
 Auto-defrost
 Freezing capacity: 6 Kg / 24 h
 Autonomy in case of power failure: 11 h

Technical information

Noise level: 39 dB(A)
 Climate class: SN / T
 W x H x D: 60 x 193,5 x 67 cm

TALL
HEIGHT



SCCB336DNF2X

SCCB336DNF2DAX

CONTEMPORARY
Collection

NO FROST FRIDGE-FREEZER 347 L

SCCB336DNF2X (stainless steel) | **882 €***

SCCB336DNF2DAX (dark stainless steel) | **941 €***

Available from July 2021



Main features

Energy class: A++
Energy class 2021: E
347 litres (243 / 104)
Cooling type: No Frost
Interior lighting
Adjustable thermostat

Refrigerator

Defrost: Automatic
Shelf type: Glass
3 shelves, 1 vegetable crisper drawer, 1
drawer 0/3°C, 3 balconies

Freezer

3 drawers
Auto-defrost
Freezing capacity: 6 Kg / 24 h
Autonomy in case of power failure: 11 h

Technical information

Noise level: 40 dB(A)
Climate class: SN / ST
W x H x D: 60 x 193,5 x 67 cm



SCCB315DNF2X



SCCB315DNF2DAX

CONTEMPORARY
Collection

NO FROST FRIDGE-FREEZER 323 L

SCCB315DNF2X (stainless steel) | **764 €***

SCCB315DNF2DAX (dark stainless steel) | **823 €***

Available from July 2021



Main features

Energy class: A++

Energy class 2021: E

323 litres (219 / 104)

Cooling type: No Frost

Interior lighting

Adjustable thermostat

Refrigerator

Defrost: Automatic

Shelf type: Glass

3 shelves, 1 vegetable crisper drawer, 1
drawer 0/3°C, 3 balconies

Freezer

3 drawers

Auto-defrost

Freezing capacity: 6,4 Kg / 24 h

Autonomy in case of power failure: 10,5 h

Technical information

Noise level: 40 dB(A)

Climate class: SN / ST

W x H x D: 60 x 185 x 69 cm



SCCB320NFW

SCCB320NFX

SCCB320NFDAX

CONTEMPORARY
Collection

NO FROST FRIDGE-FREEZER 327 L

SCCB320NFW (white) | **647 €***

SCCB320NFX (stainless steel) | **705 €***

SCCB320NFDAX (dark stainless steel) | **764 €***



Main features

Energy class: A+
Energy class 2021: F
327 litres (221/106)
Cooling type: No Frost
Interior lighting
Adjustable thermostat

Refrigerator

Defrost: Automatic
Temperature control display
Shelf type: Glass
4 shelves, 1 vegetable crisper drawer,
3 balconies

Freezer

3 drawers
Auto-defrost
Freezing capacity: 5 Kg / 24 h
Autonomy in case of power failure: 11 h

Technical information

Noise level: 40 dB(A)
Climate class: SN / ST
W x H x D: 60 x 185 x 69 cm



 SCCB320NFW

 SCCB320NFX

 SCCB320NFDAX

CONTEMPORARY
Collection

NO FROST FRIDGE-FREEZER 327 L

SCCB285NFW (white) | **588 €***

SCCB285NFX (stainless steel) | **647 €***

SCCB285NFDAX (dark stainless steel) | **705 €***



Main features

Energy class: A+
Energy class 2021: F
293 litres (210 / 83)
Cooling type: No Frost
Interior lighting
Adjustable thermostat

Refrigerator

Defrost: Automatic
Shelf type: Glass
4 shelves, 1 vegetable crisper drawer,
3 balconies

Freezer

3 drawers
Auto-defrost
Freezing capacity: 3,8 Kg / 24 h
Autonomy in case of power failure: 8,5 h

Technical information

Noise level: 40 dB(A)
Climate class: N / ST
W x H x D: 60 x 185,8 x 60 cm

LARGE
WIDTH



SCDD528NF2IX

CONTEMPORARY
Collection

TWO DOOR NO FROST REFRIGERATOR 528 L

SCDD528NF2IX | 1,117 €* (stainless steel)

Available from July 2021



Main features

Energy class: A++
Energy class 2021: E
528 litres (411 / 117)
Cooling type: No Frost
Interior lighting
Adjustable thermostat
Inverter motor

Refrigerator

Defrost: Automatic
Shelf type: Glass
3 shelves, 1 vegetable crisper drawer,
4 balconies, 1 fresh zone

Freezer

2 door shelves, 1 shelf
Auto-defrost
Freezing capacity: 5,4 Kg / 24 h
Autonomy in case of power failure: 13 h

Technical information

Noise level: 39 dB(A)
Climate class: ST / N / T
W x H x D: 79 x 183,5 x 71 cm



SCDD42ONF2IX



SCDD42ONF2DAX

CONTEMPORARY
Collection

TWO DOOR NO FROST REFRIGERATOR 415 L

SCDD42ONF2IX | **882 €*** (stainless steel)

SCDD42ONF2DAX | **999 €*** (dark stainless steel)



Main features

Energy class: A++
Energy class 2021: E
415 litres (321 / 94)
Cooling type: No Frost
Interior lighting
Adjustable thermostat
Inverter motor

Refrigerator

Defrost: Automatic
Shelf type: Glass
3 shelves, 1 vegetable crisper drawer,
4 balconies, 1 fresh zone

Freezer

2 balconies, 1 shelf
Auto-defrost
Freezing capacity: 4 Kg / 24 h
Autonomy in case of power failure: 14 h

Technical information

Noise level: 39 dB(A)
Climate class: N / ST
W x H x D: 70.5 x 178 x 68,2 cm



TWO DOOR REFRIGERATOR 304 L

SCDD308W | 505 €* (white)
 SCDD308X | 564 €* (stainless steel)
 Available from June 2021



Main features

Energy class: A+
 Energy class 2021: F
 304 litres (229 / 75)
 Cooling type: Static
 Interior lighting
 Adjustable thermostat

Refrigerator

Defrost: Automatic
 Shelf type: Glass
 3 shelves, 1 vegetable crisper drawer,
 3 balconies

Freezer

1 shelf
 Manual defrost
 Freezing capacity: 3,4 Kg / 24 h
 Autonomy in case of power failure: 20 h

Technical information

Noise level: 40 dB(A)
 Climate class: N / ST
 W x H x D: 60 x 172 x 60 cm

□ SCDD308W ■ SCDD308X

CONTEMPORARY
 Collection



TWO DOOR REFRIGERATOR 206 L

SCDD205W | 352 €* (white)

SCDD205X | 388 €* (stainless steel)



Main features

Energy class: A+

Energy class 2021: F

206 litres (169 / 37)

Cooling type: Static

Interior lighting

Adjustable thermostat

Refrigerator

Defrost: Automatic

Shelf type: Glass

3 shelves, 1 vegetable crisper drawer, 3 balconies

Freezer

1 shelf

Manual defrost

Freezing capacity:
2,4 Kg / 24 h

Autonomy in case of power failure: 13,5 h

Technical information

Noise level: 40 dB(A)

Climate class: N / ST

W x H x D:
54.5 x 143 x 55.5 cm



SCDD205W

SCDD205X

TABLE TOP 102 L

SCTT102W4 (white) | 294 €*

SCTT102S4 (silver) | 305 €*



Main features

Energy class: A+

Energy class 2021: F

102 litres (88 / 14)

Cooling type: Static

Interior lighting

Adjustable thermostat

Refrigerator

Defrost: Automatic

Shelf type: Glass

2 shelves, 1 vegetable crisper drawer, 3 balconies

Freezer

1 shelf

Manual defrost

Freezing capacity:
2 Kg / 24 h

Autonomy in case of power failure: 7 h

Technical information

Noise level: 40 dB(A)

Climate class: N / ST

W x H x D: 50 x 84 x 56 cm



SCTT102W4

SCTT102S4

COOLING APPLIANCES

SIDE ^{BY} SIDE



1-DOOR FREEZER 274 L

SCCA274NFX (stainless steel) | 999 €*
 SCCA274NDAX (dark stainless steel) | 1058 €*
 Available from July 2021



Main features

Energy class: A++

Energy class 2021: E

274 litres

Cooling type: No Frost

Interior lighting

Adjustable thermostat

Inverter motor

Front display:

- Precise to-the-degree temperature setting

- Super Freeze function

- Eco function

- Control lock function

- Open door alarm

Defrost: Automatic

Shelf type: Glass

3 shelves

1 XL drawer of 35L on runners

1 large drawer

2 balconies including special Pizza section

2 sliding trays

1 Twist & ice

Technical information

Noise level: 39 dB(A)

Climate class: SN / T

W x H x D: 59,5 x 185 x 65 cm



SCCA274NFX SCCA274NDAX

CONTEMPORARY
Collection



SCOD360NFX

SCOD360NFDAX

CONTEMPORARY
Collection

SIDE BY SIDE



1-DOOR FREEZER 359 L

SCOD360NFX (stainless steel) | 941 €*

SCOD360NFDAX (dark stainless steel) | 999 €*

Available from July 2021



Main features

Energy class: A++

Energy class 2021: E

359 litres

Cooling type: No Frost

Interior lighting

Adjustable thermostat

Inverter motor

Front display:

- Precise to-the-degree temperature setting

- Super Freeze function

- Holiday function

- Control lock function

- Open door alarm

Defrost: Automatic

Shelf type: Glass

4 Shelves

4 balconies

1 stainless steel bottle rack

1 XL "Fresh Zone" vegetable drawer 34 L

1 "Vitamin Zone" vegetable drawer 27 L

1 convertible "Chef Zone" Fresh Zone 15 L

Technical information

Noise level: 40 dB(A)

Climate class: SN / ST

W x H x D: 59,5 x 185 x 65 cm

BLACK MAT ■ Collection



Black mat, add a touch of raw style to your kitchen

The sophisticated and timeless Black mat collection blends perfectly into any kitchen. Its cement effect will add elegance and refinement to any interior.



SCFD558NFB

BLACK
MAT
Collection

FRENCH DOOR REFRIGERATOR 531 L

SCFD558NFB | 1645 €*

Available from June 2021



Main features

Energy class: A++
Energy class 2021: E
Total net capacity: 531L (345 / 186 L)
No frost Multiflow
LED side lighting
Electronic temperature control
Holiday function
Door alarm
Shabbat mode (display and interior light can be deactivated)

Refrigerator

Shelf type: Glass
2 fruit and vegetable drawers, 3 shelves with stainless steel finish, 8 balconies with stainless steel finish
Inner back panel made of stainless steel

Freezer

Super freeze function
2 drawers
Freezing capacity: 8,5 kg / h
Freezer autonomy in case of power failure: 11 h

Technical information

Noise level: 41 dB (A)
Climate class: N / ST
W x H x D: 83,3 x 182 x 70,6 cm



SCB315NFB

BLACK
MAT
Collection

FRIDGE-FREEZER 326 L

SCB315NFB | 823 €*



Main features

Energy class: A+
Energy class 2021: F
326 litres (226 / 100)
NoFrost Multiflow
Double LED side lighting
Electronic temperature control
Holiday function
Door alarm

Refrigerator

Fresh drawer
Fruit and vegetable crisper drawer
Shelf type: Glass
2 shelves with stainless steel finish, 3 balconies with stainless steel finish
Chrome-plated bottle rack

Freezer

3 drawers
Freezing capacity: 4,5 kg / 24 h
Freezer autonomy in case of power failure: 14 h

Technical information

Noise level: 41 dB (A)
Climate class: ST
W x H x D: 59 x 185,2 x 66 cm



SDD260B

BLACK
MAT
Collection

DOUBLE-DOOR REFRIGERATOR 258 L

SDD260B | 588 €*



Main features

Energy class: A+

Energy class 2021: F

258 litres (206 / 52)

Static cooling with auto-defrost in the refrigerator

LED lighting

Mechanical temperature control

Refrigerator

Vegetable crisper drawer

Shelf type : Glass

3 shelves with stainless steel finish,
3 balconies with stainless steel finish

Freezer

1 shelf

Freezing capacity: 3 kg / 24 h

Autonomy in case of power failure: 20 h

Technical information

Noise level: 41dB (A)

Climate class: N / ST

W x H x D : 54,5 x 170 x 58,3 cm

Glass DOOR Collection



Ultra-chic design, Glass doors

The ultimate in sleek design, you'll love the elegance and minimalism of our Glass Door collection. The fully glass front with its beautiful sheen is sure to make your kitchen sparkle.



■ SCMD564NFGLB

□ SCMD564NFGLW

Glass
DOOR
Collection

MULTI-DOOR REFRIGERATOR 564 L

SCMD564NFGLB (black glass) | 1882 €*

SCMD564NFGLW (white glass) | 1882 €*

Available from July 2021



Main features

Energy class: A++

Energy class 2021: E

564 litres (363 / 201)

No Frost cooling

LED lighting

Electronic temperature control

Inverter motor

Refrigerator

Shelf type: Glass

2 vegetable crisper drawers, 3 shelves
with stainless steel finish, 6 balconies

Stainless steel back

Freezer

Freezing capacity: 14 kg

Autonomy in case of power failure: 12 h

Super freeze function

Technical information

Door alarm

Holiday function

Child lock

Noise level: 41dB (A)

Climate class: N / ST

W x H x D: 91,1 x 183 x 70,6 cm



■ SCUS550NFGLB

■ SCUS550NFGLW

Glass
DOOR
Collection

AMERICAN REFRIGERATOR 556 L

SCUS550NFGLB (black glass) | 1999 €*

SCUS550NFGLW (white glass) | 1999 €*



Main features

Energy class: A+
Energy class 2021: F
556 litres (373 / 183)
No Frost cooling
LED lighting
Electronic temperature control
Water dispenser
Ice maker
Inverter motor

Refrigerator

Shelf type: Glass
2 vegetable crisper drawers, 4 shelves
with stainless steel finish, 6 balconies with
stainless steel finish

Freezer

3 shelves
2 drawers
Freezing capacity: 8 kg
Autonomy in case of power failure: 6 h
Super freeze function

Technical information

Door alarm
Holiday function
Child lock
Noise level: 41 dB (A)
Climate class: SN / ST
W x H x D: 91,1 x 178 x 70.6 cm



■ SCB250NFGLB

□ SCB250NFGLW

■ SCB250NFGLS

Glass
DOOR
Collection

FRIDGE-FREEZER 250 L

SCB250NFGLB (black glass) | 705 €*

SCB250NFGLW (white glass) | 705 €*

SCB250NFGLS (silver glass) | 705 €*



Main features

Energy class: A+

Energy class 2021: F

250 litres (180 / 70)

NoFrost Multiflow

LED lighting

Electronic temperature control

Refrigerator

Fresh drawer

Fruit and vegetable crisper drawer

Shelf type: Glass

3 shelves with stainless steel finish,
3 balconies with stainless steel finish

Freezer

Super freeze function

3 drawers

Freezing capacity: 3.5 kg / 24 h

Autonomy in case of power failure: 9 h

Technical information

Noise level: 41 dB (A)

Climate class: SN / ST

W x H x D: 54,5 x 180 x 58

Accessories: Ice cube tray, egg tray

Feeling's



Discover Schneider's vintage range

The Feeling's by Schneider range will add a touch of originality to your kitchen.

Made with high-quality materials, the iconic style of this 50's tribute collection offers the best in technology, with the added bonus of a stylish design.

■ RED ■ BLACK Mat ■ BORDEAUX Mat ■ PINK ■ CREAM ■ BLUE ■ ALMOND GREEN

**Please refer to each product to find out the available colours in stock*



FEELING'S METAL HANDLE

SCHNEIDER

CHROME FINISH

REMOVABLE SEALS

REMOVABLE
BALCONIES





SCB315VNFB (mat)

NO FROST FRIDGE-FREEZER 326 L

SCB315VNFB | 1,117 €*



Main features

Energy class: A++
 Energy class 2021: E
 Total net capacity: 326L (226 / 100 L)
 No frost
 LED side lighting
 Electronic temperature control
 Holiday function

Refrigerator

ChefZone drawer 0 - 3 °C
 Vegetable crisper drawer
 Shelf type: Glass
 2 shelves with stainless steel finish,
 3 balconies with stainless steel finish,
 1 bottle rack

Freezer

Super freeze function
 3 drawers
 Freezing capacity: 4,5 kg / 24 h
 Freezer autonomy in case of power failure: 19 h

Technical information

Noise level: 41 dB (A)
 Climate class: N / ST
 W x H x D: 59,6 x 192,5 x 70,5 cm
 Accessory: ice cube tray



SCB300VB (mat)
 SCB300VWR (mat)
 SCB300VBL
 SCB300VR
 SCB300VCR
 SCB300VA

FRIDGE-FREEZER 304 L

SCB300V | 941 €*



Main features

Energy class: A++
 Energy class 2021: E
 Capacity: 304 litres (211 / 93)
 Vented cooling with auto-defrost in the refrigerator
 LED lighting
 Mechanical temperature control

Refrigerator

Vegetable crisper drawer
 Shelf type: Glass
 3 shelves with stainless steel finish,
 4 balconies with stainless steel finish
 1 bottle rack

Freezer

3 drawers
 Freezing capacity: 3 kg / 24 h
 Freezer autonomy in case of power failure: 10 h

Technical information

Noise level: 39 dB (A)
 Climate class: N / ST
 W x H x D : 59,5 x 189,9 x 64,5 cm
 Accessory: ice cube tray



SCCB250VP
 SCCB250VB (mat)
 SCCB250VBL
 SCCB250VR
 SCCB250VVA
 SCCB250VCR

FRIDGE-FREEZER 249 L

SCCB250V | 823 €*



Main features

Energy class: A++
 Energy class 2021: E
 Capacity: 249 litres (180 / 69)
 Static cooling with auto-defrost in the refrigerator
 LED lighting
 Mechanical temperature control

Refrigerator

Vegetable crisper drawer
 Shelf type: Glass
 3 shelves with stainless steel finish,
 4 balconies with stainless steel finish

Freezer

3 drawers
 Freezing capacity: 3 kg / 24 h
 Freezer autonomy in case of power failure: 17 h

Technical information

Noise level: 39 dB (A)
 Climate class: N / ST
 W x H x D : 54,5 x 181,5 x 62,6 cm
 Accessory: ice cube tray

NARROW
WIDTH



SCDD208VBL SCDD208VB (mat) SCDD208VR SCDD208VP SCDD208VA SCDD208VCR

2-DOOR REFRIGERATOR 211 L

SCDD208V | 706 €*



Main features

Energy class: A++
Energy class 2021: E
Capacity: 211 litres (172 / 39)
Static cooling with auto-defrost in the refrigerator
LED lighting
Mechanical temperature control

Refrigerator

Vegetable crisper drawer
Shelf type: Glass
3 shelves with stainless steel finish,
5 balconies with stainless steel finish

Freezer

Freezing capacity: 2 kg / 24 h
Autonomy in case of power failure: 10 h
1 shelf in the freezer section

Technical information

Noise level: 40 dB (A)
Climate class: N / ST
W x H x D: 54,5 x 149,7 x 63,8 cm
Accessory: ice cube tray





SCDD309VB (mat)
 SCDD309VWR (mat)
 SCDD309VR
 SCDD309VCR

2-DOOR REFRIGERATOR 302 L

SCDD309V | 941 €*



Main features

Energy class: A++
 Energy class 2021: E
 Capacity: 302 litres (227 / 75)
 Vented cooling with auto-defrost in the refrigerator
 LED lighting
 Mechanical temperature control

Refrigerator

Vegetable crisper drawer
 Shelf type: Glass
 3 shelves with stainless steel finish,
 4 balconies with stainless steel finish

Freezer

Freezing capacity: 3,4 kg / 24 h
 Autonomy in case of power failure: 15 h
 1 shelf in the freezer section

Technical information

Noise level: 39 dB (A)
 Climate class: N / ST
 W x H x D : 60 x 181 x 65 cm
 Accessory: ice cube tray



SCCL329VB (mat)
 SCCL329VR
 SCCL329VCR
 SCCL329VBL

ALL-PURPOSE REFRIGERATOR 337 L

SCCL329V | 1058 €*



Main features

Energy class: A++
 Energy class 2021: E
 Capacity: 337 litres
 Vented cooling with auto-defrost in the refrigerator
 LED ceiling light
 Electronic temperature control

Technical information

Noise level: 40 dB (A)
 Climate class: N / ST
 W x H x D: 60 x 181 x 65 cm

Refrigerator

2 vegetable crisper drawers
 Shelf type: Glass
 4 shelves with stainless steel finish,
 5 balconies with stainless steel finish,
 1 bottle rack

NARROW
WIDTH



■ SCCL222VVA ■ SCCL222VR ■ SCCL222VB (mat) ■ SCCL222VCR

1-DOOR REFRIGERATOR 229 L

SCCL222V | 706 €*



Main features

Energy class: A++

Energy class 2021: E

Capacity: 229 litres (211 / 18)

Vented cooling with auto-defrost in the refrigerator

LED ceiling light

Mechanical temperature control

Refrigerator

Vegetable crisper drawers

Shelf type: Glass

3 shelves with stainless steel finish,
4 balconies with stainless steel finish

Freezer

Freezing capacity: 2 kg / 24 h

Autonomy in case of power failure: 6 h

Technical information

Noise level: 40 dB (A)

Climate class: N / ST

W x H x D: 54,6 x 149,7 x 62,6 cm



SCTT115VB (mat)
 SCTT115VR
 SCTT115VCR
 SCTT115VBL

TABLE TOP REFRIGERATOR 109 L

SCTT115V | 470 €*



Main features

Energy class: A++
 Energy class 2021: E
 Capacity: 109 litres (94 /15)
 Static cooling/Manual defrost LED lighting
 LED lighting
 Manual temperature control

Refrigerator

Vegetable crisper drawers
 Shelf type: Glass
 2 shelves with stainless steel finish,
 3 balconies with stainless steel finish

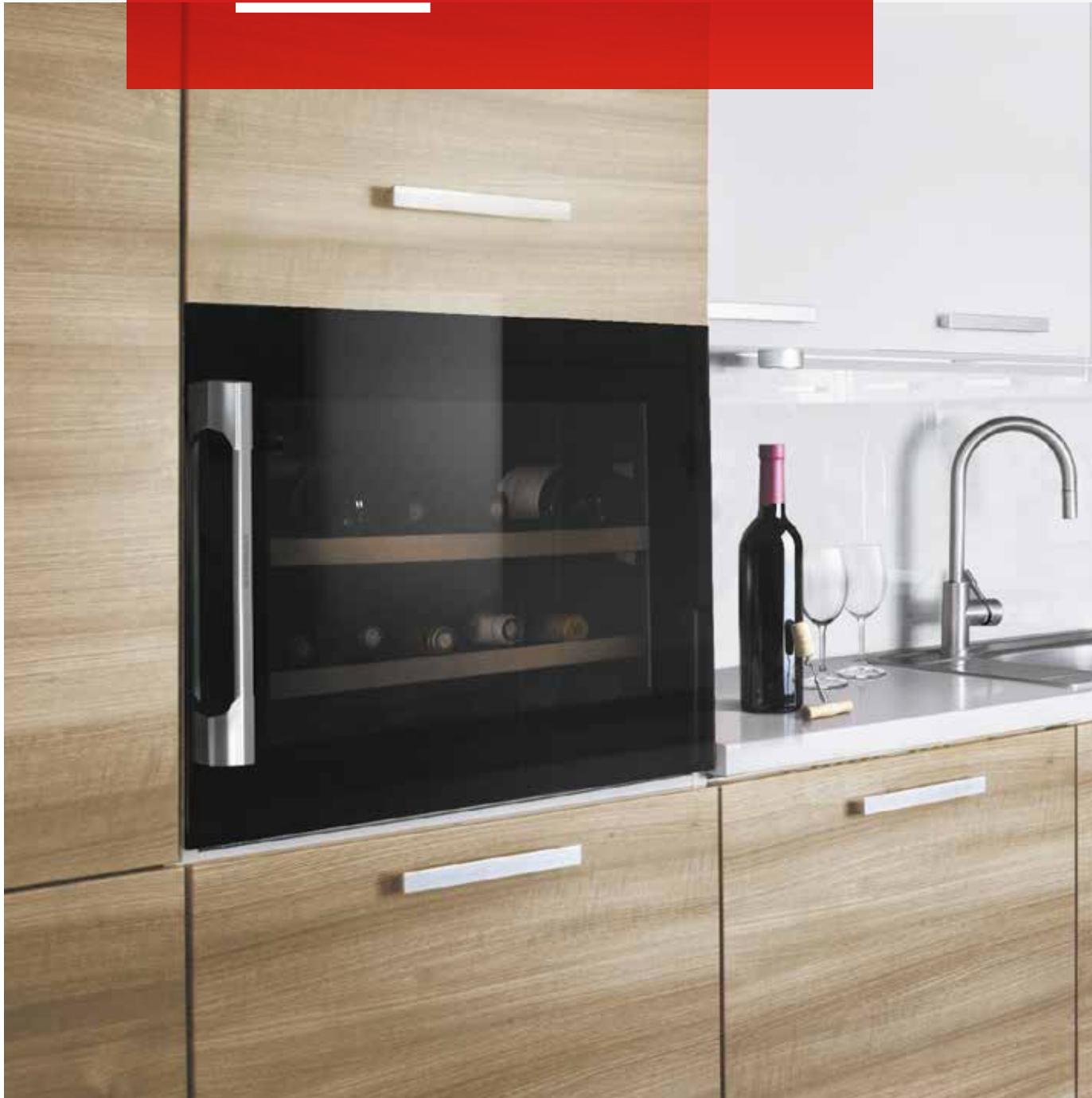
Freezer

Freezing capacity: 2 kg / 24 h
 Autonomy in case of power failure: 8 h

Technical information

Noise level: 39 dB (A)
 Climate class: N / ST
 W x H x D: 54 x 87,3 x 62,8 cm

WINE CELLARS







Keep your wine in the ideal conditions thanks to the two independent temperature zones.

The doors have been treated with anti-UV protection so that the wine cellar can be installed without having to take into account its exposure to sunlight. The practical sliding shelves provide easy access to the bottles. The wooden finish adds an authentic touch.





DOOR TREATED WITH ANTI-UV PROTECTION

Our glass doors are treated with anti-UV protection, so that you can display your bottles without having to worry about the negative effect of light on the wine ageing process. The practical doors are reversible on all models.

ELECTRONIC CONTROL

The electronic thermostat displays the temperature to the exact degree, ensuring that no matter the type of wine, it will be perfectly preserved. The buttons on the control panel are intuitive and easy to use.



ANTI-VIBRATION

Vibration can have a negative impact on the physical and chemical characteristics associated with the ageing process, and can adversely affect wine preservation. Schneider wine cellars are equipped with additional protection, such as a compressor, which minimises vibration as far as possible.

ADAPT THE TEMPERATURE TO THE TYPE OF WINE

Thanks to the 2 separate temperature zones, you can preserve and enhance the quality of your wine by storing it at the optimal temperature (between 5 and 22°C).



SLIDING SHELVES

The sliding shelves provide optimal access to your wine cellar with customized storage. You can remove the shelves to store more bottles or simply arrange them to your liking.



BUILT-IN WINE CELLAR UNDER WORKTOP

SCCVEL6240 | 1411 €*

Available from July 2021



Main features

Temperature-controlled wine cellar
 Type of installation: built-in/free-standing
 Capacity: 40 bottles
 Net volume: 112 litres
 Electronic thermostat
 Digital temperature display
 Cooling type: with compressor, airflow
 10 sliding wooden shelves
 Noise level: 41 dB
 2 temperature zones
 Temperature range: 5 - 20°C

Technical information

Door treated with anti-UV protection
 Adjustable feet, max 45mm
 2 x 0,5 W white LED interior lighting
 Energy class: B
 Energy class 2021: G
 High temperature alarm

BUILT-IN WINE CELLAR UNDER WORKTOP

SCCVF6246 | 1058 €*

Available from July 2021



Main features

Temperature-controlled wine cellar
 Type of installation: built-in/free-standing
 Capacity: 46 bottles
 Net volume: 129 litres
 Electronic thermostat
 Digital temperature display
 Cooling type: with compressor, airflow
 5 sliding wooden shelves
 Noise level: 41 dB
 2 temperature zones
 Temperature range: 5 - 22°C

Technical information

Door treated with anti-UV protection
 Adjustable feet, max 45mm
 1 W white LED interior lighting
 Reversible door
 Energy class: A
 Energy class 2021: F
 High temperature alarm



BUILT-IN WINE CELLAR UNDER WORKTOP

SCCVEF3120 | 882 €*

Available from July 2021



Main features

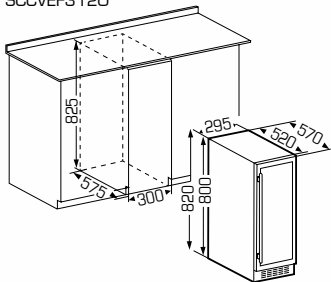
- Temperature-controlled wine cellar
- Type of installation: built-in/free-standing
- Capacity: 20 bottles
- Net volume: 56 litres
- Electronic thermostat
- Digital temperature display
- Cooling type: with compressor; airflow
- 4 sliding wooden shelves
- Noise level: 41 dB
- 1 temperature zone
- Temperature range: 5 - 20° C

Technical information

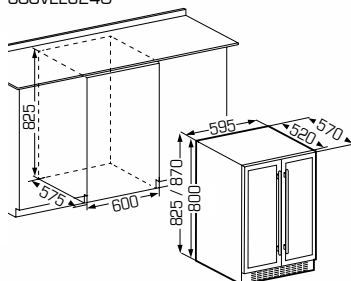
- Door treated with anti-UV protection
- Adjustable feet, max 45mm
- 1 W white LED interior lighting
- Reversible door
- Energy class: A
- Energy class 2021: F
- High temperature alarm



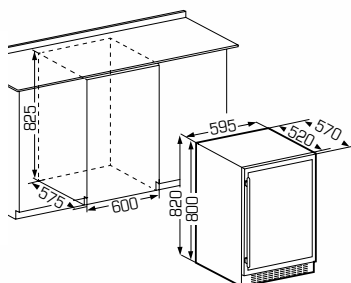
SCCVEF3120



SCCVEL6240



SCCVEF6246



WINE CELLARS



BUILT-IN WINE CELLAR 60 CM

SCCVI602BK | 941 €*

Available from July 2021



Main features

- Temperature-controlled wine cellar
- Type of installation: built-in, height: 60 cm
- Capacity: 36 bottles
- Net volume: 85 litres
- Electronic thermostat
- Digital temperature display
- Cooling type: with compressor, airflow
- 3 sliding wooden shelves
- Noise level: 41 dB
- 2 temperature zones
- Temperature range: 5 - 22°C

Technical information

- Door treated with anti-UV protection
- Adjustable feet, max 8mm
- 1 W white LED interior lighting
- Reversible door
- Energy class: A
- Energy class 2021: G
- High temperature alarm

BUILT-IN WINE CELLAR 60 CM

SCCVI602BS | 941 €*

Available from July 2021

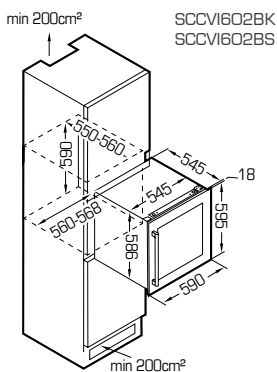


Main features

- Temperature-controlled wine cellar
- Type of installation: built-in, height: 60 cm
- Capacity: 36 bottles
- Net volume: 85 litres
- Electronic thermostat
- Digital temperature display
- Cooling type: with compressor, airflow
- 3 sliding wooden shelves
- Noise level: 41 dB
- 2 temperature zones
- Temperature range: 5 - 22°C

Technical information

- Door treated with anti-UV protection
- Adjustable feet, max 8mm
- 1 W white LED interior lighting
- Reversible door
- Energy class: A
- Energy class 2021: G
- High temperature alarm





BUILT-IN WINE CELLAR 45 CM

SCCVI451BK | 823 €*

Available from July 2021



Main features

Temperature-controlled wine cellar
 Type of installation: built-in, height: 45 cm
 Capacity: 28 bottles
 Net volume: 62 litres
 Electronic thermostat
 Digital temperature display
 Cooling type: with compressor, airflow
 2 sliding wooden shelves
 Noise level: 41 dB
 1 temperature zone
 Temperature range: 5 - 20°C

Technical information

Door treated with anti-UV protection
 Adjustable feet, max 8mm
 1 W white LED interior lighting
 Reversible door
 Energy class: A
 Energy class 2021: F
 High temperature alarm

BUILT-IN WINE CELLAR 45 CM

SCCVI451BS | 823 €*

Available from July 2021

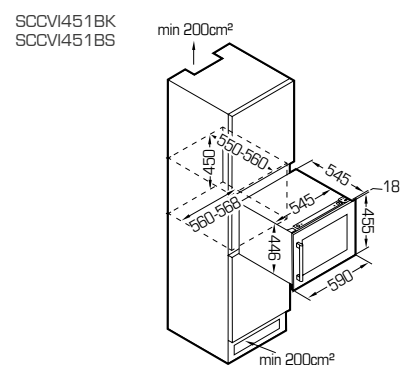


Main features

Temperature-controlled wine cellar
 Type of installation: built-in, height: 45 cm
 Capacity: 28 bottles
 Net volume: 62 litres
 Electronic thermostat
 Digital temperature display
 Cooling type: with compressor, airflow
 2 sliding wooden shelves
 Noise level: 41 dB
 1 temperature zone
 Temperature range: 5 - 20°C

Technical information

Door treated with anti-UV protection
 Adjustable feet, max 8mm
 1 W white LED interior lighting
 Reversible door
 Energy class: A
 Energy class 2021: F
 High temperature alarm





Pyrolytic & catalytic ovens

Appliance type	Pyrolytic oven	Pyrolytic oven	Pyrolytic oven	Pyrolytic oven
Reference	SCOP27MIBK	SCOP27BABK	SCOP27MIBS	SCOP27BABS
Multi-function	Forced air	Forced air	Forced air	Forced air
Cleaning mode	Pyrolytic	Pyrolytic	Pyrolytic	Pyrolytic
Number of glass panes (door)	4 panes	4 panes	4 panes	4 panes
"Cooking mode (Natural convection/multi-function)"	Multi-function	Multi-function	Multi-function	Multi-function
Airflow/Forced air	Forced air	Forced air	Forced air	Forced air
Number of functions	11	11	11	11
Functions	Light, defrost, base heat, conventional oven, conventional fan, grill, double grill, fan-assisted double grill, forced-air, eco, pyrolytic self-clean.	Light, defrost, base heat, conventional oven, conventional fan, grill, double grill, fan-assisted double grill, forced-air, eco, pyrolytic self-clean.	Light, defrost, base heat, conventional oven, conventional fan, grill, double grill, fan-assisted double grill, forced-air, eco, pyrolytic self-clean.	Light, defrost, base heat, conventional oven, conventional fan, grill, double grill, fan-assisted double grill, forced-air, eco, pyrolytic self-clean.
Temperature range	50 - 250 °C	50 - 250 °C	50 - 250 °C	50 - 250 °C
Usable cavity volume (litres)	70	70	70	70
Heat settings	5	5	5	5
Display	White LED	White LED	White LED	White LED
Display with eco mode (automatic sleep mode after 10 min)	yes	yes	-	-
Additional features:	Soft-closing, telescopic rails on 1 level, temperature recommendation	Temperature recommendation	Soft-closing, telescopic rails on 1 level, temperature recommendation	Temperature recommendation
Interior lighting (W)	25	25	25	25
Energy efficiency class	A	A	A	A
Total power (W)	3200	3200	3200	3200
Grill power (W)	2000	2000	2000	2000
Upper heating element power (W)	950	950	950	950
Lower heating element power (W)	1100	1100	1100	1100
Circular element power (W)	2000	2000	2000	2000
Consumption in airflow mode (kWh)	0,99	0,99	0,99	0,99
Consumption in forced air mode (kWh)	0,79	0,79	0,79	0,79
Accessories included	Drip tray, wire rack	Drip tray, wire rack	Drip tray, wire rack	Drip tray, wire rack
Voltage (V), Frequency (Hz)	220-240, 50/60	220-240, 50/60	220-240, 50/60	220-240, 50/60
Cable length, without plug (cm)	100	100	100	100
Product dimensions (H x W x D) (cm)	59,5 x 59,5 x 57,5	59,5 x 59,5 x 57,5	59,5 x 59,5 x 57,5	59,5 x 59,5 x 57,5
Built-in dimensions (H x W x D) (cm)	60 x 56 x 57	60 x 56 x 57	60 x 56 x 57	60 x 56 x 57
Packaged product dimensions (H x W x D) (cm)	64,8 x 68,8 x 67	64,8 x 68,8 x 67	64,8 x 68,8 x 67	64,8 x 68,8 x 67
Net weight (kg)	36	36	36	36
Gross weight (kg)	39	39	39	39
Quantity per container 20' (units)	81	81	81	81
Quantity per container 40' (units)	162	162	162	162
Quantity per container 40 HQ (units)	216	216	216	216
EAN Code	3527570076442	3527570076435	3527570076466	3527570076459



Catalytic oven	Catalytic oven	Catalytic oven	Catalytic oven	Pyrolytic oven	Catalytic oven
SCOC17MIBK	SCOC17BABK	SCOC17MIBS	SCOC17BABS	SCOP25ENBK	SCOC15ENBK
Forced air	Forced air	Forced air	Forced air	Forced air	Forced air
Catalytic	Catalytic	Catalytic	Catalytic	Pyrolytic	Catalytic
3 panes	3 panes	3 panes	3 panes	4 panes	3 panes
Multi-function	Multi-function	Multi-function	Multi-function	Multi-function	Multi-function
Forced air	Forced air	Forced air	Forced air	Forced air	Forced air
10	10	10	10	11	10
Light, defrost, base heat, conventional oven, conventional fan, grill, double grill, fan-assisted double grill, eco, forced-air.	Light, defrost, base heat, conventional oven, conventional fan, grill, double grill, fan-assisted double grill, eco, forced-air.	Light, defrost, base heat, conventional oven, conventional fan, grill, double grill, fan-assisted double grill, eco, forced-air.	Light, defrost, base heat, conventional oven, conventional fan, grill, double grill, fan-assisted double grill, eco, forced-air.	Light, defrost, base heat, conventional oven, conventional fan, grill, double grill, fan-assisted double grill, forced-air, eco, pyrolytic self-clean.	Light, defrost, base heat, conventional oven, conventional fan, grill, double grill, fan-assisted double grill, eco, forced-air.
50 - 250 °C	50 - 250 °C	50 - 250 °C	50 - 250 °C	50 - 250 °C	50 - 250 °C
70	70	70	70	70	70
5	5	5	5	5	5
White LED	White LED	White LED	White LED	White LED	White LED
yes	yes	-	-	yes	yes
Soft-closing, telescopic rails on 1 level, temperature recommendation	Temperature recommendation	Soft-closing, telescopic rails on 1 level, temperature recommendation	Temperature recommendation	Temperature recommendation	Temperature recommendation
25	25	25	25	25	25
A	A	A	A	A	A
3000	3000	3000	3000	3200	3000
2000	2000	2000	2000	2000	2000
950	950	950	950	950	950
1100	1100	1100	1100	1100	1100
2000	2000	2000	2000	2000	2000
0,99	0,99	0,99	0,99	0,99	0,99
0,79	0,79	0,79	0,79	0,79	0,79
Drip tray, wire rack	Drip tray, wire rack	Drip tray, wire rack	Drip tray, wire rack	Drip tray, wire rack	Drip tray, wire rack
220-240, 50/60	220-240, 50/60	220-240, 50/60	220-240, 50/60	220-240, 50/60	220-240, 50/60
100	100	100	100	100	100
59,5 x 59,5 x 57,5	59,5 x 59,5 x 57,5	59,5 x 59,5 x 57,5	59,5 x 59,5 x 57,5	59,5 x 59,5 x 57,5	59,5 x 59,5 x 57,5
60 x 56 x 57	60 x 56 x 57	60 x 56 x 57	60 x 56 x 57	60 x 56 x 57	60 x 56 x 57
64,8 x 68,8 x 67	64,8 x 68,8 x 67	64,8 x 68,8 x 67	64,8 x 68,8 x 67	64,8 x 68,8 x 67	64,8 x 68,8 x 67
35,5	35	36	35,5	35	30
38,5	40	39	38,5	40	35
81	81	81	81	81	81
162	162	162	162	162	162
216	216	216	216	216	216
3527570076404	3527570076398	3527570076428	3527570076411	3527570079801	3527570079795



Steam oven

Appliance type	Steam oven
Reference	SCSO45BK
Net cavity volume (litres)	34
Reservoir capacity (litres)	1
Temperature range:	35° - 100°C
Number of auto-programmes	20
Child lock	Yes
Defrost function	Yes
Defrosting/time	Yes
Defrosting/weight	Yes
Timer	up to 2 hours
End of cooking alarm signal	Yes
Cavity material	Stainless steel
Interior lighting	Yes
Total power (W)	2200
Voltage (V), Frequency (Hz)	230, 50
Accessories included	1 wire rack for steam cooking, 1 tray for steam cooking
Cable length, with plug (cm)	100
Product dimensions (HxLxP) (cm)	45,4 x 59 x 43,7
Built-in dimensions (HxLxP) (cm)	45 x 56 x 55
Packaged product dimensions (HxLxP) (cm)	55 x 70 x 67
Net weight (kg)	27
Gross weight (kg)	33
Quantity per container 20' (units)	96
Quantity per container 40' (units)	204
Quantity per container 40 HQ (units)	204
EAN Code	3527570076534

Microwaves and combination microwave ovens

Appliance type	Microwave 45cm	Combination microwave oven 45cm	Combination microwave oven 45cm
Reference	SCMG145BK	SCMC245BK	SCMC245BS
Net cavity volume (litres)	44	44	44
Number of power levels	5 microwave power levels, 3 grill power levels	5 microwave power levels, forced air heat, fan-assisted grill, pizza function, grill, MW forced air, MW fan-assisted grill, MW + pizza function, MW + grill, defrost	5 microwave power levels, forced air heat, fan-assisted grill, pizza function, grill, MW forced air, MW fan-assisted grill, MW + pizza function, MW + grill, defrost
Number of auto-programmes	8	13	13
MW power (W)	900	900	900
Grill power (W)	1,750	1,750	1,750
Multi-function oven power (W)	-	1,750	1,750
Door opening	Handle	Handle	Handle
Display	White LED	White LED	White LED
Interior lighting	Yes	Yes	Yes
Turntable plate diameter (cm)	36	36	36
Child lock	Yes	Yes	Yes
Defrost function time/weight	Yes / Yes	Yes / Yes	Yes / Yes
Timer(min)	95	95	95
End of cooking alarm signal	Yes	Yes	Yes
Cavity material	Stainless steel	Stainless steel	Stainless steel
Voltage (V), Frequency (Hz)	230, 50	230, 50	230, 50
Accessories included	2 grill supports	1 drip tray, 1 grill support	1 drip tray, 1 grill support
Cable length, with plug (cm)	100	100	100
Product dimensions (HxLxP) (cm)	45,4 x 59,5 x 48,1	45,4 x 59 x 56,8	45,4 x 59 x 56,8
Built-in dimensions (HxLxP) (cm)	45 x 56 x 55	45 x 56 x 55	45 x 56 x 55
Packaged product dimensions (HxLxP) (cm)	55 x 70 x 65	55 x 70 x 67	55 x 70 x 67
Net weight (kg)	33	36	36
Gross weight (kg)	39	42	42
Quantity per container 20' (units)	96	96	96
Quantity per container 40' (units)	204	204	204
Quantity per container 40 HQ (units)	204	204	204
EAN Code	3527570076497	3527570076510	3527570076503

Microwave 38cm	Microwave 38cm	Microwave 38cm
SCMG138BK	SCMG138BS	SCM0382ONO
25	25	20
5 microwave power levels, 1 x grill, 2 x combi-grill and MW	5 microwave power levels, 1 x grill, 2 x combi-grill and MW	5 microwave power levels
8	8	8
900	900	800
1000	1000	-
-	-	-
Touch-sensitive	Touch-sensitive	Button
White LED	White LED	White LED
Yes	Yes	Yes
31,5	31,5	24,5
Yes	Yes	Yes
Yes / Yes	Yes / Yes	Yes / Yes
95	95	95
Yes	Yes	Yes
Stainless steel	Stainless steel	Stainless steel
230, 50	230, 50	230, 50
1 grill support	1 grill support	-
100	100	100
38,7 x 59,5 x 39	38,7 x 59,5 x 39	38,8 x 59,5 x 32
38 x 56 x 55	38 x 56 x 55	38 x 56 x 34
44,6 x 65,4 x 45,1	44,6 x 65,4 x 45,1	65 x 44,6 x 40,5
17,6	17,6	15
19,9	19,9	17
194	194	239
408	408	505
408	408	605
3527570076480	3527570076473	3527570058448

Warming drawer

Appliance type	Warming drawer
Reference	SCWD15BK
Net volume (litres)	20
Opening system	Push-pull, on sliding rails
Closure type	Soft-closing
Control type	Touch-sensitive
Temperature range	40° - 80° C
Max. load (kg)	25
Maximum number of plates	12
Maximum number of espresso cups	80
Preheating of crockery for 6 persons (EN 50242)	6 persons
Functions	Cooking, low-temperature cooking, yoghurt fermentation, defrost, warming, preheating crockery
Cavity material	Stainless steel
Voltage (V), Frequency (Hz)	220-230, 50-60
Total power (W)	1000
Accessories included	Anti-slip mat
Cable length, with plug (cm)	150
Product dimensions (H x W x D) (cm)	14,1 x 59,5 x 54,1
Net cavity dimensions (H x W x D) (cm)	8,95 x 52,65 x 42
Built-in dimensions (H x W x D) (cm)	15 x 56 x 55
Packaged product dimensions (H x W x D) (cm)	21 x 66,5 x 64
Net weight (kg)	17
Gross weight (kg)	21
Quantity per container 20' (units)	297
Quantity per container 40' (units)	594
Quantity per container 40 HQ (units)	648
EAN Code	3527570076527



Extractor hob

Appliance type	Extractor hob
Reference	SCVH651AS
Installation type	Recirculation: Air Clean charcoal filter supplied. Option to install a second Air Clean anti-odour filter behind the baseboard, as an option. Exhaust: possible (accessories not supplied).
Hob zone type	Induction
Number of hob zones	4
including Flex zones	2
Control types	Slider
Control position	Front
Timer	Yes
Power levels	9 + double booster
Keep warm function	Yes
Child lock	Yes
Residual heat indicator	Yes
Pan detector	Yes
Other functions	Chef function, automatic bridge
Total power (W)	7,400
Front left dimensions (mm)	210 x 190
Power, booster power (W)	2,100, Booster 2,300/3,000
Dimensions rear left (mm)	210 x 190
Power, booster power (W)	2,100, Booster 2,300/3,000
Rear right diameter (mm)	210 x 190
Power, booster power (W)	2,100, Booster 2,300/3,000
Front right diameter (mm)	210 x 190
Power, booster power (W)	2,100, Booster 2,300/3,000
Min./max. airflow rate in normal operation	nc*
Air flow rate in booster mode (m ³ /h)	900
Min./max. noise level in normal operation	33.3 / 60.3
Noise level in booster mode	63,2
Number of speeds	9 + Booster
Automatic shut-off	Yes
Energy efficiency class	A
Annual energy consumption (kWh/year)	26,8
Fluidodynamic efficiency class	A
Grease filter efficiency class	A
Number of grease filters	1 en forme de V
Grease filter material	Syntex Pro (synthetic mesh fabric)
Pipe reference for recirculation installation	SCACCVH001
AirClean replacement charcoal filter reference	CU003977
AirClean baseboard filter kit (optional)	SCACCVH002
Replacement Air Clean baseboard charcoal filter reference	CU003978
Motor location	Installed under the cooking hob
Baseboard height	min. 100 mm
Supplied with power cable	Yes, 150 cm
Motor power (W)	169
Voltage (V), Frequency (Hz)	220-240, 50/60
Product dimensions (LxP) (mm)	780 x 520
Built-in dimensions (LxPxH) (mm)	750 x 490
Dimensions with packaging (LxPxH) (mm)	850 x 640 x 340
Net weight (kg)	21
Gross weight (kg)	23,7
Quantity per pallet	6
EAN Code SCVH651AS	3527570079849
EAN Code SCACCVH001	3527570080715
EAN Code SCACCVH002	3527570080722

Induction hob

Appliance type	Induction hob	Induction hob
Reference	SCTI6042N5/1	SCTI6031N5/1
Width (cm)	60	60
Number of hob zones	4	3
including Flex zones	2	1
Control types	Multi sliders	Multi sliders
Control position	Front	Front
Timer(min)	99	99
Power levels	9	9
Plancha function	Yes	Yes
Keep warm function	Yes	Yes
Child lock	Yes	Yes
Residual heat indicator	Yes	Yes
Automatic shut-off	Yes	Yes
Pan detector	Yes	Yes
Total power (W)	7,400	7,400
Flexible diameter zone(s) (mm)	395 x 200	395 x 200
Power, booster power (W)	2,500 - 3,000	2,500 - 3,000
Front left diameter (mm)	180 x 180	180 x 180
Power, booster power (W)	2,000 - 2,600	2,000 - 2,600
Rear left diameter (mm)	180 x 180	180 x 180
Power, booster power (W)	1,500 - 2,000	1,500 - 2,000
Middle diameter (mm)	-	-
Power, booster power (W)	-	-
Rear right diameter (mm)	180 x 180	280
Power, booster power (W)	2,000 - 2,600	2,500 - 3,600
Front right diameter (mm)	180 x 180	-
Power, booster power (W)	1,500 - 2,000	-
Voltage (V), Frequency (Hz)	220-240, 50-60	220-240, 50-60
Product dimensions (LxPxH) (mm)	590 x 520 x 55	590 x 520 x 55
Built-in dimensions (LxPxH) (mm)	560 x 490 x 51	560 x 490 x 51
Dimensions with packaging (LxPxH) (mm)	650 x 560 x 115	650 x 560 x 115
Net weight (kg)	9.2	9.2
Gross weight (kg)	10.5	10.5
Quantity per container 20' (units)	665	665
Quantity per container 40' (units)	1,368	1,368
Quantity per container 40'HQ (units)	1,583	1,583
Cable length	100	100
EAN Code	3527570063916	3527570063909

Induction hob	Induction hob	Induction hob	Induction hob	Induction hob	Induction hob	Induction hob	Domino induction
SCTI6041N3/1	SCTI6031N3/1	SCTI6030N3/1	SCTI6030N1/1	SCTI7041N3/1	SCTI8041N3/1	SCTI9528N3	SCDI30N1
60	60	60	60	70	80	90	30
4	3	3	3	4	4	5	2
1	1	-	-	1	1	2	-
Slider	Slider	Slider	Touch-sensitive	Slider	Multi sliders	Slider	Touch-sensitive
Front	Front	Front	Front	Front	Front	Front	Front
99	99	99	99	99	99	99	99
9	9	9	9	9	9	9	9
Yes	Yes	Yes	-	Yes	Yes	Yes	-
Yes	Yes	Yes	Yes	Yes	Yes	Yes	Yes
Yes	Yes	Yes	Yes	Yes	Yes	Yes	Yes
Yes	Yes	Yes	Yes	Yes	Yes	Yes	Yes
Yes	Yes	Yes	Yes	Yes	Yes	Yes	Yes
Yes	Yes	Yes	Yes	Yes	Yes	Yes	Yes
7,400	7,400	7,400	7,400	7,400	7,400	7,400	3,500
395 x 200	395 x 200	-	-	395 x 200	395 x 200	395 x 200	
2,600 - 3,000	2,500 - 3,000	-	-	2,600 - 3,000	2,500 - 3,600	2,800 - 3,500	
180 x 180	180 x 180	180	180	180 x 180	180 x 180	180 x 180	180
2,000 - 2,600	2,000 - 2,600	2,000 - 2,600	2,000 - 2,600	2,000 - 2,600	2,000 - 2,600	2,000 - 2,600	1,500 - 1,800
180 x 180	180 x 180	160	160	180 x 180	180 x 180	180 x 180	180
1,500 - 2,000	1,500 - 2,000	1,500 - 2,000	1,500 - 2,000	1,500 - 2,000	1,500 - 2,000	1,500 - 2,000	2,000 - 2,300
-	-	-	-	-	-	280	-
-	-	-	-	-	-	2300, 3000	-
210	280	280	280	210	160	180 x 180	-
2,000 - 2,600	2,500 - 3,600	2,500 - 3,600	2,500 - 3,600	2,000 - 2,600	1,500 - 1,800	2,000 - 2,600	-
160	-	-	-	160	280	180 x 180	-
1500, 2000	-	-	-	1,500 - 2,000	2,000 - 3,000	1,500 - 2,000	-
220-240, 50-60	220-240, 50-60	220-240, 50-60	220-240, 50-60	220-240, 50-60	220-240, 50-60	220-240, 50-60	220-240, 50-60
590 x 520 x 55	590 x 520 x 55	590 x 520 x 55	590 x 520 x 55	700 x 520 x 55	800 x 520 x 55	900 x 520 x 64	288 x 520 x 64
560 x 490 x 51	560 x 490 x 51	560 x 490 x 51	560 x 490 x 51	560 x 490 x 51	740 x 490 x 51	870 x 490 x 60	268 x 500 x 58
650 x 560 x 115	650 x 560 x 115	650 x 560 x 115	650 x 560 x 115	800 x 645 x 115	903 x 625 x 145	1000 x 645 x 145	380 x 575 x 115
9.3	9.2	9.2	8.8	10	11.3	13.2	4.5
10.3	10.5	10.5	10	11.45	13.3	15	5.5
665	665	665	665	474	335	335	1140
1,368	1,368	1,368	1,368	950	703	-	2,280
1,583	1,583	1,583	1,583	1,100	791	792	2,639
100	100	100	100	100	100	100	100
3527570063893	3527570063886	3527570066825	3527570063862	3527570063923	3527570063930	3527570076602	3527570069932



Induction-gas hob

Appliance type	Induction-gas hob
Reference	SCTGI640S
Width	60 cm
Number of burners	2 gas + 2 induction burners
Surface top material	Glass
Control types	Dials and slider
Dial material	Plastic
Control position	Front
Pan support material	Cast iron
Dishwasher-safe pan supports	Yes
Burner type	Sabaf
One hand ignition	Yes
Thermocouple safety device	Yes
Gas type	Equipped for natural gas, butane/propane injectors supplied with appliance
Total connected gas load (W)	4,750 W
Rear right (W)	Rapid burner 3,000
Front right (W)	Standard burner 1,750
Total induction power (W)	3,500
Front left diameter (mm)	160
Power, booster power (W)	1,200 - booster 1,500
Rear left diameter (mm)	200
Power, booster power (W)	2,000 - booster 2,300
Timer (min)	99
Number of positions	9
Child lock	Yes
Residual heat indicator	Yes
Automatic shut-off	Yes
Pan detector	Yes
Voltage (V), Frequency (Hz)	220-240, 50/60
Product dimensions (LxPxH)	590 x 520 x 55
Built-in dimensions (LxPxH)	560 x 490 x 75
Dimensions with packaging (HxLxP)	655 x 570 x 170
Net weight	10.8
Gross weight	12.7
Quantity per container 20'	450
Quantity per container 40'	1020
Quantity per truck	1200
Cable length	100
EAN Code	3527570070204

Gas hobs

Appliance type	Gas hob
Reference	SCTG741ACN
Width (mm)	700, standard built-in installation
Number of burners	5
Surface top material	Glass
Control positions	Front
Pan support material	Cast iron
Dishwasher-safe pan supports	Yes
Burner type	Sabaf
One hand ignition	Yes
Thermocouple safety device	Yes
Gas type	Equipped for natural gas, butane/propane injectors supplied with appliance
Total connected gas load(W)	11,300
Front left (W)	Standard burner 1,750
Rear left (W)	Rapid burner 3,000
Centre (W)	Wok burner 3,800
Rear right (W)	Standard burner 1,750
Front right (W)	Economy burner 1,000
Voltage (V), Frequency (Hz)	220/240, 50/60
Product dimensions (LxPxH) (mm)	680 x 520 x 40
Built-in dimensions (LxPxH) (mm)	560 x 490 x 30
Dimensions with packaging (HxLxP) (mm)	760 x 580 x 160
Net weight (kg)	15.5
Gross weight (kg)	17
Quantity per container 20' (units)	390
Quantity per container 40' (units)	760
Quantity per truck (units)	1,088
Cable length (cm)	135
EAN Code	3527570059148

Gas hob	Gas hob	Gas hob	Gas hob	Domino gas hob	Domino gas hob
SCTG640ACN	SCTG6040B1	SCTG6040N1	SCTG6040X1	SCDG30IX	SCDG30B4
600	600	600	600	300	300
4	4	4	4	2	2
Glass	Enamel, white	Enamel, black	Stainless steel	Stainless steel	Glass
Front	Side	Side	Side	Front	Front
Cast iron	Enamel	Enamel	Enamel	Cast iron	Cast iron
Yes	Yes	Yes	Yes	Yes	Yes
Sabaf	Sabaf	Sabaf	Sabaf	Sabaf	Sabaf
Yes	Yes	Yes	Yes	Yes	Yes
Yes	Yes	Yes	Yes	Yes	Yes
Equipped for natural gas, butane/propane injectors supplied with appliance	Equipped for natural gas, butane/propane injectors supplied with appliance	Equipped for natural gas, butane/propane injectors supplied with appliance	Equipped for natural gas, butane/propane injectors supplied with appliance	Equipped for natural gas, butane/propane injectors supplied with appliance	Equipped for natural gas, butane/propane injectors supplied with appliance
7,500	7,500	7,500	7,500	4000	4,000
Standard burner 1,750	Rapid burner 3,000	Rapid burner 3,000	Rapid burner 3,000	Rapid burner 3,000	Rapid burner 3,000
Standard burner 1,750	Standard burner 1,750	Standard burner 1,750	Standard burner 1,750	Economy burner 1,000	Economy burner 1,000
-	-	-	-	-	-
Rapid burner 3,000	Standard burner 1,750	Standard burner 1,750	Standard burner 1,750	-	-
Economy burner 1,000	Economy burner 1,000	Economy burner 1,000	Economy burner 1,000	-	-
220/240, 50/60	220/240, 50/60	220/240, 50/60	220/240, 50/60	220/240, 50/60	220/240, 50/60
590 x 520 x 40	590 x 520 x 40	590 x 520 x 40	590 x 520 x 40	290 x 520 x 40	290 x 520 x 40
560 x 490 x 30	560 x 490 x 30	560 x 490 x 30	560 x 490 x 30	350 x 570 x 170	350 x 570 x 170
650 x 580 x 160	650 x 580 x 160	650 x 580 x 160	650 x 580 x 160	260 x 490 x 30	260 x 490 x 30
11.5	11.5	11.5	11.5	4.65	4.65
13	13	13	13	5.85	5.85
450	450	450	450	840	840
1,020	1,020	1,020	1,020	1,760	1,760
1,200	1,200	1,200	1,200	-	-
135	135	135	135	135	135
3527570059131	3527570058295	3527570058301	3527570058318	3527570072161	3527570080111



Glass-ceramic hobs

Appliance type	Glass-ceramic hob	Glass-ceramic hob	Glass-ceramic hob	Domino glass-ceramic hob	Domino glass-ceramic hob
Reference	STV603	STV604	STV60M	SDV30M	SDV30S
Width (cm)	60	60	60	30	30
Number of hob zones	3	4	4	2	2
Control types	Touch-sensitive	Touch-sensitive	Dials	Dials	Touch-sensitive
Control position	Front	Front	Side	Front	Front
Timer	Yes	Yes	-	-	Yes
Number of positions	9	9	7	7	9
Child lock	Yes	Yes	-	-	Yes
Residual heat indicator	Yes	Yes	Yes	Yes	Yes
Automatic shut-off	Yes	Yes	Yes	Yes	Yes
Total power (W)	5,200	6,000	6,000	3,000	3,000
Front left diameter (mm)	200	200	200	165	165
Power (W)	1,800	1,800	1,800	1,200	1,200
Rear left diameter (mm)	165	165	165	200	200
Power (W)	1,200	1,200	1,200	1,800	1,800
Rear right diameter (mm)	138 / 230	200	200	-	-
Power (W)	1,000 / 2,200	1,800	1,800	-	-
Front right diameter (mm)	-	165	165	-	-
Power (W)	-	1,200	1,200	-	-
Voltage (V), Frequency (Hz)	220-240, 50-60	220-240, 50-60	220-240, 50-60	220-240, 50-60	220-240, 50-60
Product dimensions (LxPxH) (mm)	590 x 520 x 52	590 x 520 x 52	590 x 520 x 52	288 x 520 x 52	288 x 520 x 52
Built-in dimensions (LxPxH) (mm)	560 x 490 x 48	560 x 490 x 48	560 x 490 x 48	268 x 500 x 48	268 x 500 x 48
Dimensions with packaging (LxPxH) (mm)	650 x 560 x 115	650 x 560 x 115	650 x 560 x 115	375 x 575 x 115	375 x 575 x 115
Net weight (kg)	8.4	8.6	8.5	4.5	4.5
Gross weight (kg)	9.6	9.8	9.6	5.5	5.5
Quantity per container 20' (units)	665	665	665	1,140	1,140
Quantity per container 40' (units)	1,368	1,368	1,368	2,280	2,280
Quantity per container 40 HQ (units)	1,583	1,583	1,583	2,639	2,639
Cable length (cm)	100	100	100	100	100
EAN Code	3527570053825	3527570053344	3527570053818	3527570053771	3527570053764

Domino electric hob

Appliance type	Domino electric hob
Reference	SCDE302XM
Width (cm)	30
Number of hob zones	2
Control types	Dials
Control position	Front
Timer	Yes
Number of positions	3
Child lock	-
Residual heat indicator	Yes
Automatic shut-off	Yes
Total power (W)	3,000
Front diameter (mm)	145
Power (W)	1,000
Rear diameter (mm)	180
Power (W)	2,000
Voltage (V), Frequency (Hz)	220-240, 50/60
Product dimensions (LxPxH) (mm)	310 x 520 x 40
Built-in dimensions (LxPxH) (mm)	290 x 490
Dimensions with packaging (LxPxH) (mm)	385 x 575 x 170
Net weight (kg)	5.1
Gross weight (kg)	6.1
Quantity per container 20' (units)	840
Cable length (cm)	135
EAN Code	3527570066320



WALL-MOUNTED DECORATIVE HOODS

Appliance type	Wall-mounted decorative hoods	Wall-mounted decorative hoods	Wall-mounted decorative hoods
Reference	SCHD2A99AAB	SCHD9652EB	SCHD6652EB
Width (cm)	90	90	60
Energy class	A	A++	A++
Operation	Recirculation or exhaust	Recirculation or exhaust	Recirculation or exhaust
Control types	Touch control	Touch control	Touch control
Min./max. airflow rate in normal operation (m ³ /h)	391.8 / 616	220 / 477	220 / 477
Max. air flow rate in booster operation (m ³ /h)	-	650	650
Min./max. noise level in normal operation (dB)	61 / 64	44 / 56	44 / 56
Noise level in booster mode (dB)	-	63	63
Number of speeds	3	3 + booster	3
Booster	-	Yes	Yes
Automatic shut-off	Yes	Yes	Yes
Automatic opening	Automatic opening	-	-
Energy consumption (kWh/year)	32.8	16.9	16.9
Fluidodynamic efficiency class	A	A	A
Lighting efficiency class	B	A	A
LED lighting (W)	2 x 1.5	2 x 1.5	2 x 1.5
Grease filter efficiency class	D	D	D
Number of grease filters	2	3	3
Grease filter material	Aluminium	Aluminium	Aluminium
Charcoal filters included	Yes	Yes	Yes
Replacement charcoal filter reference	1.11.01.0004	CU003556	CU003556
Check valve	Yes	Yes	Yes
Installation kit	Yes	Yes	Yes
Motor power (W)	165	70	70
Connected load (W)	168	73	73
Voltage (V), Frequency (Hz)	220-240, 50	220-240, 50/60	220-240, 50/60
Exhaust diameter (mm)	150	150	150
Cable length, avec prise (cm)	150	185	185
Colour	Black tempered glass	Black	Black
Product dimensions (HxLxP) (mm)	1,055-155.5 x 900 x 387	415 x 897 x 430	415 x 597 x 430
Dimensions with packaging (HxLxP) (mm)	528 x 940 x 442	520 x 985 x 535	520 x 685 x 535
Net weight (kg)	21	21	17
Gross weight (kg)	25.5	25.5	19.7
Quantity per container 20'	96	96	152
Quantity per container 40'	192	192	304
Quantity per container 40'HQ	240	240	379
EAN Code	3527570066948	3527570075414	3527570075407

Wall-mounted decorative hoods	Wall-mounted decorative hoods	Wall-mounted decorative hoods	Wall-mounted decorative hoods	Wall-mounted decorative hoods
SCHD2A90EBV	SCHD2A60EBV	SCHB9612TB	SCHB98EX	SCHB68EX
90	90	90	90	60
A	A	A++	A	A
Recirculation or exhaust	Recirculation or exhaust	Recirculation or exhaust	Recirculation or exhaust	Recirculation or exhaust
Touch control	Touch control	Touch control	Electronic control	Electronic control
391.8 / 594	391.8 / 594	225.7 / 480.3	280 / 605.7	280 / 605.7
-	-	647.7	805,8	805,8
61 / 65	61 / 65	45 / 59	52 / 65	52 / 65
-	-	69	74	74
3	3	3	3	3
-	-	Yes	Yes	Yes
Yes	Yes	Yes	-	-
-	-	-	-	-
41.8	41.8	16.1	55.1	55.1
B	B	A	A	A
B	B	A	A	A
2 x 1.5	2 x 1.5	2 x 1.5	2 x 1.5	2 x 1.5
D	D	C	C	C
1	1	3	3	2
Aluminium	Aluminium	Aluminium	Aluminium	Aluminium
Yes	Yes	Yes	Yes	Yes
1.11.01.0004	1.11.01.0004	CU003556	CU003556	CU003556
Yes	Yes	Yes	Yes	Yes
Yes	Yes	Yes	Yes	Yes
165	165	70	250	250
168	168	73	253	253
220-240, 50	220-240, 50	220-240, 50/60	220-240, 50/60	220-240, 50/60
150	150	150	150	150
150	150	185	185	185
Black	Stainless steel and black	Stainless steel and black	Stainless steel	Stainless steel
810-1,300 x 900 x 420	810-1,290 x 600 x 420	550-1050 x 900 x 500	430 x 900 x 500	430 x 600 x 500
495 x 930 x 5 x 420	495 x 635 x 420	644 x 960 x 385	644 x 960 x 385	570 x 660 x 385
15	13,5	13	13.5	11.5
17	15	16	15.5	14
136	204	144	144	204
272	408	296	296	420
340	510	344	344	490
3527570066894	3527570066887	3527570075384	3527570075377	3527570075360

EXTRACTION HOODS



Island hoods

Appliance type	Island hood	Island hood
Reference	SCHI9602AN	SCHI6589AN
Energy class	A	A
Operation	Recirculation or exhaust	Recirculation
Control types	Touch control	Touch control
Min./max. airflow rate in normal operation (m ³ /h)	393 / 602	401.8 / 589
Min./max. noise level in normal operation (dB)	57 / 61	51 / 58
Number of speeds	3	3
Energy consumption (kWh/year)	38.5	35.9
Fluidodynamic efficiency class	A	A
Lighting efficiency class	B	A
LED lighting (W)	4 x 1.5	2 x 1.5
Grease filter efficiency class	D	B
Number of grease filters	3	1
Grease filter material	Aluminium	Aluminium
Charcoal filters included	Yes	Yes
Replacement charcoal filter reference	1.11.01.0009	1.11.01.0004
Check valve	Yes	Yes
Installation kit	Yes	Yes
Motor power (W)	165	165
Connected load (W)	171	168
Voltage (V), Frequency (Hz)	220-240, 50	220-240, 50
Exhaust diameter (mm)	150	150
Cable length, with plug (cm)	150	150
Colour	Stainless steel / Black	Black
Product dimensions (HxLxP) (cm)	55-103 x 90 x 58.4	80-90 x 60 x 35
Dimensions with packaging (HxLxP) (cm)	63.5 x 95.5 x 44.5	44.3 x 64.5 x 42.7
Net weight (kg)	23.5	16.9
Gross weight (kg)	26.5	20
Quantity per container 20' (units)	102	215
Quantity per container 40' (units)	208	455
Quantity per container 40'HQ (units)	248	540
EAN Code	3527570058738	3527570058721

Built-in hoods

Appliance type	Telescopic hood	Telescopic hood
Reference	SCHT962AX	SCHT662AX
Energy class	A	A
Operation	Recirculation or exhaust	Recirculation or exhaust
Control types	Rocker switch control	Rocker switch control
Min./max. airflow rate in normal operation (m ³ /h)	595.6 / 620	595.6 / 620
Min./max. noise level in normal operation (dB)	62 / 68	62 / 68
Number of speeds	2	2
Energy consumption (kWh/year)	38,1	38.1
Fluidodynamic efficiency class	D	D
Lighting efficiency class	D	D
LED lighting (W)	2 x 2	2 x 2
Grease filter efficiency class	D	D
Number of grease filters	2	2
Grease filter material	Aluminium	Aluminium
Charcoal filters included	Yes	Yes
Replacement charcoal filter reference	1.11.01.0004	1.11.01.0004
Check valve	Yes	Yes
Installation kit	Yes	Yes
Motor power (W)	165	165
Connected load (W)	169	169
Voltage (V), Frequency (Hz)	220-240, 50	220-240, 50
Exhaust diameter (mm)	150	150
Cable length, with plug (cm)	150	150
Product dimensions (HxLxP) (cm)	27 x 90 x 28.5	27 x 60 x 28.5
Dimensions with packaging (HxLxP) (cm)	35.5 x 94 x 37.5	35.5 x 64 x 37.5
Net weight (kg)	11.5	9
Gross weight (kg)	13	10
Quantity per container 20' (units)	210	340
Quantity per container 40' (units)	460	700
Quantity per container 40'HQ (units)	530	840
EAN Code	Stainless steel : 3527570068393	Stainless steel : 3527570068386

Telescopic hood	Filter unit	Filter unit	Canopy hood	Canopy hood
SCHT6044CX (Stainless steel) SCHT6044CN (black)	SCHG5261BX	SCGF4330BX	SCHC6400CX	SCHC6018WH (white) SCHC6018SL (silver)
C	B	B	D	C
Recirculation or exhaust	Recirculation or exhaust	Recirculation or exhaust	Recirculation or exhaust	Recirculation or exhaust
Slide control	Electronic control	Slide control	Mechanical control	Rocker switch control
285 / 440	350 / 575.7	212 / 325	247.3 / 400	116.8 / 177
56 / 63	60 / 69	57 / 63	61 / 65	55 / 65
3	3	3	3	2
53	57	29	120.1	41.6
E	B	D	G	E
A	A	A	C	A
1 x 1.5	2 x 1.5	2 x 2	2 x 2	1 x 1.5
B	C	D	B	C
2	2	2	2	1
Aluminium	Aluminium	Aluminium	Aluminium	Acrylic
Yes	Yes	Yes	Yes	Yes
CU003556	CF110	CF130	1.11.01.0003	CU003974
Yes	Yes	Yes	Yes	Yes
Yes	Yes	Yes	Yes	Yes
105	190	65	2 x 95	80
106.5	193	69	194	81,5
220-240, 50/60	220-240, 50	220-240, 50	220-240, 50	220-240, 50
150	150	150	120	120
185	110	110	150	185
25.5 x 59.5 x 30.8	25.4 x 52 x 29.6	16,2 x 52 x 29.6	13.8 x 60 x 50	8 x 59.7 x 44
38.5 x 65.2 x 33.5	34 x 57 x 32.5	21 x 58.5 x 34	18.5 x 64 x 55.5	12.5 x 64 x 49
7.3	6.5	6	7	4.7
8.7	7.5	7	8	5.8
372	465	678	420	780
740	959	1,410	864	1,578
852	1,096	1,625	1,007	1,747
Stainless steel : 3527570077739 Black : 3527570077722	Stainless steel : 3527570058714	Stainless steel : 3527570057403	Stainless steel : 3527570058691	White : 3527570078620 Silver : 3527570078637

Dishwashers

Appliance type	Fully-integrated tall dishwasher	Fully-integrated tall dishwasher	Fully integrated dishwasher	Fully integrated dishwasher	Fully integrated dishwasher
Reference	SCLT6842CB	SCLT6847DB	SCDWF442CC	SCDWF444DS	SCDW644DIC
Number of place settings	16	16	14	14	14
Cutlery tray	Yes	Yes	Yes	Yes	Yes
Old/new energy efficiency class	A+++ / C	A++ / D	A+++ / C	A++ / D	A++ / D
Noise level (dB)/noise class	42 / B	47 / C	42 / B	44 / B	44 / B
Hinge type	Fixed	Fixed	Fixed	Sliders	Fixed
Motor type	Inverter	Standard	Inverter	Standard	Standard
Interior lighting	4 x LED	2 x LED	-	-	-
Number of programmes	8	4	8	8	8
Programmes	Auto, intensive, universal, eco, rapid, glass, rinse, 1 hour	Intensive, eco, 90 minutes, rapid	Auto, intensive, universal, eco, 90 minutes, rapid, glass, rinse	Auto, intensive, universal, eco, 90 minutes, rapid, glass, rinse	Auto, intensive, universal, eco, 90 minutes, rapid, glass, rinse
Extra dry option	Yes	-	Yes	Yes	Yes
Turbo + speed option	-	-	Yes	-	Yes
Temperatures (°C)	nc*	nc*	65 / 60 / 55 / 50 / 45 / 40	65 / 60 / 55 / 50 / 45 / 40	65 / 60 / 55 / 45 / 40
Half load option	Yes	Yes	Yes	Yes	Yes
Delayed start (h)	1-24	3-6-9-12	1-24	1-24	1-24
Racks with folding spikes	Yes	Yes	Yes	Yes	Yes
Height-adjustable upper rack	Yes, loaded	Yes, empty	Yes, loaded	Yes, loaded	Yes, loaded
Energy consumption/100 cycles (kWh)	nc*	nc*	75	85	85
Energy consumption per cycle (kWh)	nc*	nc*	0.747	0.849	0.849
Water consumption per cycle (l)	nc*	nc*	10	10	10
Reference programme length (eco)	205	205	198	198	198
Overflow safety device	Yes	Yes	Yes	Yes	Yes
Salt level indicator	Yes	Yes	Yes	Yes	Yes
Rinse aid level indicator	Yes	Yes	Yes	Yes	Yes
Selected programme indicator	Yes	Yes	Yes	Yes	Yes
Time remaining display	Yes	-	Yes	Yes	Yes
Drying type	Natural	Natural	Natural	Natural	Natural
Automatic door opening at end of cycle	Yes	Yes	Yes	Yes	Yes
Number of wash arms	3	3	2	2	2
Tank material	Stainless steel	Stainless steel	Stainless steel	Stainless steel	Stainless steel
Max. adjustable feet (mm)	50	50	50	50	50
Voltage (V) / Frequency (Hz)	230 - 50	230 - 50	230 - 50	230 - 50	230 - 50
Regeneration	Yes	Yes	Yes	Yes	Yes
Water softener	Yes	Yes	Yes	Yes	Yes
Automatic detergent dispenser	Yes	Yes	Yes	Yes	Yes
Rinse aid dispenser	Yes	Yes	Yes	Yes	Yes
Max. weight of decorative panel (kg)	9	9	7	7	7
Cable length (cm)	150	150	150	150	150
Length of water inlet hose (cm)	150	150	150	150	150
Length of drain hose (cm)	150	150	150	150	150
Product dimensions (H X L X P) cm	85.7 x 59.8 x 55	85.7 x 59.8 x 55	85.7 x 59.8 x 55	85.7 x 59.8 x 55	85.7 x 59.8 x 55
Packaged product dimensions (H X L X P) cm	89 x 67 x 65.5	89 x 67 x 65.5	88.4 x 63.5 x 63	88.4 x 63.5 x 63	88.4 x 63.5 x 63
Net weight (kg)	37.3	37.3	37.5	37.5	37.5
Gross weight (kg)	42.3	42.3	44	44	44
Quantity per container 20'HC (units)	48	48	54	54	54
Quantity per container 40'HC (units)	108	108	108	108	108
Quantity per container 40'HQ (units)	153	153	162	162	162
Control panel colour	Black	Stainless steel	Black	Black	Black
EAN Code	3527570078941	3527570078958	3527570076565	3527570076558	3527570079221

*information not provided

Fully integrated dishwasher	Fully integrated dishwasher	Fully integrated dishwasher	Fully integrated dishwasher	Fully integrated dishwasher 45 cm	Fully integrated dishwasher 45 cm	Fully integrated dishwasher 45 cm
SCDW644DCU	SCLT6247G	SCDW644DOO	SCLT6247XO	SCLT5044DG	SCLT5947EG	SCDW504DOO
14	12	14	12	10	9	10
Yes	-	-	-	Yes	-	-
A++ / D	A++ / E	A++ / D	A++ / E	A++ / D	A++ / E	A++ / D
44 / B	47 / C	44 / B	47 / C	44 / B	47 / C	44 / B
Fixed	Sliders	Fixed	Fixed	Sliders	Sliders	Fixed
Standard	Standard	Standard	Standard	Standard	Standard	Standard
-	-	-	-	-	-	-
8	4	6	4	5	5	8
Auto, intensive, universal, eco, 90 minutes, rapid, glass, rinse	Intensive, eco, 90 minutes, rapid	Intensive, universal, eco, 90 minutes, rapid, glass	Intensive, eco, 90 minutes, rapid	Auto, intensive, rapid, eco, 90 minutes	Auto, intensive, rapid, eco, 90 minutes	Auto, intensive, universal, eco, 90 minutes, rapid, glass, rinse
Yes	-	-	-	-	-	-
Yes	-	-	-	-	-	-
65 / 60 / 55 / 45 / 40	65 / 60 / 55 / 50 / 45	65 / 60 / 55 / 50 / 45 / 40	65 / 60 / 55 / 50 / 45	65 / 55 / 45 / 40	65 / 55 / 45 / 40	65 / 60 / 55 / 50 / 45 / 40
Yes	Yes	Yes	Yes	Yes	Yes	Yes
1-24	3-6-9-12	1-24	3-6-9-12	1-24	1-24	1-24
Yes	Yes	Yes	Yes	Yes	Yes	Yes
Yes, loaded	Yes, loaded	Yes, loaded	Yes, loaded	Yes, loaded	Yes, loaded	Yes, loaded
85	92	85	92	67	70	85
0.849	0.923	0.849	0.923	0.674	0.704	0.849
10	11	10	11	10	9	8
198	220	198	220	215	235	198
Yes	Yes	Yes	Yes	Yes	Yes	Yes
Yes	Yes	Yes	Yes	Yes	Yes	Yes
Yes	Yes	Yes	Yes	Yes	Yes	Yes
Yes	Yes	Yes	Yes	Yes	Yes	Yes
Yes	-	Yes	-	-	-	-
Natural	Natural	Natural	Natural	Natural	Natural	Natural
Yes	No	Yes	No	Yes	No	Yes
2	2	2	2	2	2	2
Stainless steel	Stainless steel	Stainless steel	Stainless steel	Stainless steel	Stainless steel	Stainless steel
50	50	50	50	50	50	50
230 - 50	230 - 50	230 - 50	230 - 50	230 - 50	230 - 50	230 - 50
Yes	Yes	Yes	Yes	Yes	Yes	Yes
Yes	Yes	Yes	Yes	Yes	Yes	Yes
Yes	Yes	Yes	Yes	Yes	Yes	Yes
Yes	Yes	Yes	Yes	Yes	Yes	Yes
7	7	7	7	5	5	5
150	150	150	150	150	150	150 cm
150	150	150	150	150	150	150 cm
150	150	150	150	150	150	150 cm
85.7 x 59.8 x 55	85.7 x 59.8 x 55	81.5 x 59.8 x 58	81.5 x 59.8 x 55	81.5 x 44.8 x 55	81.5 x 44.8 x 55	81.5 x 44.8 x 55
88.4 x 63.5 x 63	88.4 x 63.5 x 63	88.4 x 63.5 x 63	88.4 x 63.5 x 63	89 x 48.5 x 64.5	89 x 48.5 x 64.5	88.4 x 48.5 x 63.5
37.5	37.5	37.5	37.5	39.6	39.6	29.5
44	44	44	44	46.1	46.1	34.5
54	54	54	54	80	80	80
108	108	108	108	168	168	168
162	162	162	162	246	246	246
Black	Stainless steel	Stainless steel / black	Stainless steel	Stainless steel	Stainless steel	Black
3527570079214	3527570067204	3527570079207	3527570059254	3527570078507	3527570078491	3527570079238



Built-in washing machines

Appliance type	Built-in washing machines	Built-in washer-dryer
Reference	SCWMI814	SCWDI8614
Colour	White	White
Old/new energy efficiency class	A+++ / B	A / B
Energy efficiency class complete wash/dry cycle	-	E
Spin/dry efficiency class	B	B
Washing/drying capacity (kg)	8	8 / 6
Max. spin speed (rpm)	1,400	1,400
Motor type	Inverter	Inverter
Speeds	0-400-600-800-1000-1200-1400	0-400-600-800-1000-1200-1400
Number of programmes	16	16
Programmes	Intensive, Cotton, Eco, 40-60°, Express 15', Rapid 45', Rinse & Spin, Baby, Sports, Synthetics, Mixed, Delicates, Wool, Denim, Spin, Favourites	Eco 40-60°, Sport, Express, 20°, Wool, Wash & Dry, Denim, Baby, Cotton, 1hr Wash & Dry, Mixed, Intensive, Rinse & Spin, Dry, Spin, Favourites
Options	Prewash, Extra rinse	Prewash, Extra rinse
Washing temperatures	Cold - 20 - 30 - 40 - 60 - 90	Cold - 20 - 30 - 40 - 60 - 90
Display	White LED	White LED
Delayed start	24 h	24 h
Beep sounds at end of programme	Yes	Yes
Drum volume	52.7	52.7
Drum material	Stainless steel	Stainless steel
Porthole colour	White	White
Emptying hatch	Yes	Yes
Drain hose	-	-
Out-of-balance detector	Yes	Yes
Foam detection	Yes	Yes
Child locks	Yes	Yes
Spin cycle noise level (dB)/spin cycle noise class	76 / B	76 / B
Water consumption per wash cycle/wash & dry cycle (L)	48	48 / 90
Energy consumption per complete wash/dry cycle (kWh)	-	3,600
Energy consumption per 100 cycles (kWh)	55	55
Energy consumption per 100 complete wash/dry cycles	-	360
Reference programme length wash/wash + dry	218	218 / 570
Cable length (cm)	150	150
Length of water inlet hose (cm)	100	100
Length of drain hose (cm)	160	160
Power (W)	1,950	1900
Voltage (V), Frequency (Hz)	230 - 50	230 - 50
Adjustable feet (mm)	7	7
Reversible door/Opening direction of decorative panel of your choice	No/Yes	No/Yes
Net weight	63	64
Gross weight	66	68
Product dimensions (H x W x D) (cm)	59.5 x 54 x 82.5	59.5 x 54 x 82.5
Packaged product dimensions (H x W x D) (cm)	60 x 60.5 x 87.5	60 x 60.5 x 87.5
Quantity per container 20'HC (units)	54	54
Quantity per container 40'HC (units)	114	114
Quantity per container 40'HC (units)	171	171
EAN Code	3527570076107	3527570076091



Built-in cold appliances

Appliance type	Fridge-freezer	Fridge-freezer	Fridge-freezer	Fridge-freezer
Reference	SCRCI193BN	SCRCI241NN	SCRCA177BN	SCRCA277BS
Height (cm)	194	177	177	177
Energy class	A+ / F	A+ / F	A+ / F	A++ / E
Motor type	Standard	Standard	Standard	Standard
Total net volume (litres)	281	241	246	250
Refrigerator volume (litres)	225	151 + 26 (Chef Zone)	190	190
Freezer volume 4* litres	56	64	56	60
Refrigerator cooling type	Airflow	No Frost	Airflow	Airflow
Auto-defrost	Yes	Yes	Yes	Yes
Freezer cooling type	No frost	No Frost	No frost	Static
Hinge type	Sliders	Sliders	Sliders	Sliders
Control type	Electronic	Electronic	Electronic	Electronic
Interior finish	Silver	Silver	Silver	Silver
Number of shelves	4	4	4	5
Height-adjustable	3	3	3	4
Shelf type	Safety glass	Safety glass	Safety glass	Safety glass
Bottle rack	Yes	-	Yes	Yes
Number of door shelves	4	3	3	3
ChefZone for meat and fish	1	1	1	-
Vitamin zone with humidity control	1	-	1	1
FreshZone for fruit and vegetables	-	1	-	-
Interior lighting type	LED	LED	Ceiling and side LEDs	Ceiling and side LEDs
Holiday function	-	Yes	Yes	-
Super chill/super freeze function	-	Yes/Yes	Yes/Yes	-
Refrigerator open door alarm	Yes	Yes	Yes	Yes
Freezer high temperature alarm	Yes	Yes	Yes	Yes
Freezing capacity (kg/24h)	2.5	2.88	2.5	2.7
Autonomy in case of power failure (h)	11	11	11	11
Reversible doors	Yes	Yes	Yes	Yes
Accessible drawers with 90° opening	Yes	Yes	Yes	Yes
Adjustable front feet	Yes	Yes	Yes	Yes
Removable seals	Yes	Yes	Yes	Yes
Climate class	N-ST	N-ST	N-ST	N-ST
Noise level (dB)/noise class	41 / C	39 / C	41 / C	39 / C
Voltage (V), Frequency (Hz)	220-240, 50	220-240, 50	220-240, 50	220-240, 50
Energy consumption (kWh/24h)	0,707	0.789	0.712	0.561
Annual energy consumption (kWh/year)	258	288	260	205
Refrigerant gas	R600a	R600a	R600a	R600a
Product dimensions (HxLxP) mm	1,937 x 540 x 540	1,776 x 540 x 540	1,776 x 540 x 540	1,776 x 540 x 540
Built-in dimensions (HxLxP) mm	1,939 x 560 x 550	1,780 x 560 x 560	1,780 x 560 x 560	1,780 x 560 x 560
Dimensions with packaging (HxLxP) mm	2,000 x 573 x 573	1,840 x 573 x 573	1,840 x 573 x 573	1,840 x 573 x 573
Net weight (kg)	61	53	63	61
Gross weight (kg)	66.5	57	70	67
Quantity per container 40'HC (units)	103	109	109	109
Cable length (cm)	180	180	180	180
EAN Code	3527570075971	3527570069871	3527570059247	3527570059230



Built-in cold appliances

Appliance type	Fridge-freezer	Fridge-freezer	Fridge-freezer	1-door refrigerator
Reference	SCRCA177BS	SCRC77SAI	SCRC77SSA	SCRLA277BO
Height (cm)	177	177	177	177
Energy class	A+ / F	A++ / E	A+ / F	A++ / E
Motor type	Standard	Inverter	Standard	Inverter
Total net volume (litres)	250	249	249	316
Refrigerator volume (litres)	190	179	179	316
Freezer volume 4* litres	60	70	70	-
Refrigerator cooling type	Airflow	Static	Static	Airflow
Auto-defrost	Yes	Yes	Yes	Yes
Freezer cooling type	Static	Static	Static	-
Hinge type	Sliders	Sliders	Sliders	Sliders
Control type	Electronic	Electronic	Electronic	Electronic
Interior finish	Silver	Silver	Silver	Silver
Number of shelves	5	4	4	7
Height-adjustable	4	3	3	5
Shelf type	Safety glass	Safety glass	Safety glass	Safety glass
Bottle rack	Yes	Yes	Yes	Yes
Number of door shelves	3	3	3	5
ChefZone for meat and fish	-	-	-	-
Vitamin zone with humidity control	1	-	-	-
FreshZone for fruit and vegetables	-	1	1	2
Interior lighting type	Ceiling and side LEDs	LED	LED	Ceiling and side LEDs
Holiday function	-	-	-	-
Super chill/super freeze function	-	- / Yes	- / Yes	-
Refrigerator open door alarm	Yes	Yes	Yes	Yes
Freezer high temperature alarm	Yes	-	-	-
Freezing capacity (kg/24h)	2.7	3.2	3.2	-
Autonomy in case of power failure (h)	11	17	17	-
Reversible doors	Yes	Yes	Yes	Yes
Accessible drawers with 90° opening	Yes	Yes	Yes	Yes
Adjustable front feet	Yes	-	-	Yes
Removable seals	Yes	Yes	Yes	Yes
Climate class	N-ST	N-ST	N-ST	N-ST
Noise level (dB)/noise class	39 / C	39 / C	39 / C	39 / C
Voltage (V), Frequency (Hz)	220-240, 50	220-240, 50	220-240, 50	220-240, 50
Energy consumption (kWh/24h)	0.701	0.594	0.742	0.312
Annual energy consumption (kWh/year)	256	217	271	114
Refrigerant gas	R600a	R600a	R600a	R600a
Product dimensions (HxLxP) mm	1,776 x 540 x 540	1,785 x 540 x 540	1,785 x 540 x 540	1,776 x 540 x 540
Built-in dimensions (HxLxP) mm	1,780 x 560 x 560	1,770 x 560 x 550	1,770 x 560 x 550	1,780 x 560 x 560
Dimensions with packaging (HxLxP) mm	1,840 x 573 x 573	1,845 x 575 x 560	1,845 x 575 x 560	1,840 x 573 x 573
Net weight (kg)	61	54	54	52.5
Gross weight (kg)	67	58	58	59
Quantity per container 40'HC (units)	109	109	109	109
Cable length (cm)	180	160	160	180
EAN Code	3527570059223	3527570068454	3527570068447	3527570059209

1-door refrigerator	1-door refrigerator	1-door refrigerator	1-door refrigerator	1-door refrigerator	1-door refrigerator
SCRLA177BO	SCRF122EA2	SCRL122EA2	SCRL882ASO	SCRF882ASO	SCRF482SEF
177	122	122	88	88	82
A+ / F	A++ / E	A++ / E	A++ / E	A++ / E	A+ / F
Standard	Standard	Standard	Standard	Standard	Standard
316	179	197	135	116	111
316	163	197	-	100	95
-	16	-	-	16	16
Airflow	Static	Static	Static	Static	Static
Yes	Yes	Yes	Yes	Yes	Yes
-	Static	-	-	Static	Static
Sliders	Sliders	Sliders	Sliders	Sliders	Pantograph
Electronic	Electronic	Electronic	Mecanic	Mecanic	Electronic
Silver	Silver	Silver	Silver	Silver	White
7	3	4	3	2	2
5	1	1	1	1	1
Safety glass	Safety glass	Safety glass	Safety glass	Safety glass	Safety glass
Yes	-	-	-	-	-
5	3	3	3	3	2
-	-	-	-	-	-
-	-	-	-	-	-
2	1	1	1	1	2 half sections under the lower shelf
Ceiling and side LEDs	LED	LED	LED	LED	LED
-	-	-	-	-	-
-	-	-	-	-	-
Yes	Yes	Yes	-	-	Yes
-	-	-	-	-	-
-	2.6	-	-	2,6	2,6
-	11	-	-	11	11
Yes	Yes	Yes	Yes	Yes	Yes
Yes	Yes	Yes	Yes	Yes	Yes
Yes	Yes	Yes	Yes	Yes	Yes
Yes	Yes	Yes	Yes	Yes	Yes
N-ST	N-ST	N-ST	N-ST	N-ST	N-ST
39 / C	39 / C	39 / C	39 / C	39 / C	40 / C
220-240, 50	220-240, 50	220-240, 50	220-240, 50	220-240, 50	220-240, 50
0.392	0.506	0.405	0.252	0.4	0.501
143	185	148	92	146	183
R600a	R600a	R600a	R600a	R600a	R600a
1,777 x 540 x 540	1,221 x 540 x 540	1,221 x 540 x 540	875 x 540 x 540	875 x 540 x 540	818 x 596 x 550
1,781 x 560 x 560	1,223 x 560 x 550	1,223 x 560 x 550	873 x 560 x 550	873 x 560 x 550	818 x 600 x 600
1,841 x 573 x 573	1,270 x 573 x 573	1,270 x 573 x 573	920 x 570 x 570	920 x 570 x 570	880 x 640 x 600
52.5	37.5	37	26	27	32
59	40.5	40	29	30	35.5
109	164	164	218	218	216
180	180	180	160	160	180
3527570059193	3527570068935	3527570068928	3527570076251	3527570062261	3527570076138



Freestanding cold appliances

Appliance type	American refrigerator	Side by side Refrigerator	Side by side Refrigerator
Reference	SCUS465IDNFX	SCSBSWD529NF	SCSBSWD436NF
Old/new energy efficiency class	A+/F	A++/E	A+/F
Total net volume (L)	516	529	439
Refrigerator volume (L)	334	344	288
Freezer volume (4*) (L)	182	185	151
Refrigerator cooling type	No Frost	No Frost	No Frost
Auto-defrost	Yes	Yes	Yes
Freezer cooling type	No Frost	No Frost	No Frost
Auto-defrost	Yes	Yes	Yes
Interior finish	Stainless steel	Stainless steel	Stainless steel
Number of shelves	3 + 4	5 + 5	5 + 5
Shelf types	Glass	Glass	Glass
Smart mode	-	Yes	Yes
Number of door shelves	3 + 5	4 + 4	4 + 4
Number of vegetable crisper drawers	2 + 2	1 + 1	1 + 1
	including a Chef Zone 0-3°C		
Interior lighting	LED	LED	LED
Digital display	Yes, on the front	Yes, on the front	Yes, on the front
Water/ice dispenser	Yes, water, icecubes, crushed ice	Yes, cold water	Yes, cold water
Holiday function	Yes	Yes	Yes
Super chill/super freeze function	Yes	Yes	Yes
Open door alarm	Yes	Yes	Yes
Freezing capacity (kg/24h)	12	14	11
Autonomy in case of power failure (h)	6	9	9,5
Reversible doors	No	No	No
Adjustable front feet	Yes	Yes	Yes
Climate class	SN-T	SN-ST	SN-ST
Noise level (dB(A)/Noise class	40/C	39/C	40/C
Motor type	Inverter	Inverter	Inverter
Power (W)	240	120	120
Frequency (Hz)	50	50	50
Energy consumption (kWh/24h)	1.088	0.855	0.997
Annual energy consumption (kWh/year)	397	312	359
Product dimensions (W x H x D) (cm)	89.5 x 178.8 x 74.5	90.5 x 177 x 67	90.5 x 177 x 59.5
Dimensions with packaging (W x H x D) (cm)	95.5 x 185.5 x 77.8	97.2 x 186.2 x 75.6	97.2 x 186.2 x 67.2
Net weight (Kg)	98	91	82
Gross weight (Kg)	108	100	90
Quantity per container 40' (units)	48	48	54
EAN Code Stainless Steel (X)/(IX)	3527570071546	3527570079467	3527570071072
EAN Code Dark Stainless Steel (DAX)	-	3527570079474	3527570071539
EAN Code White (W)	-	-	-

CONTEMPORAINE

Multi-door Refrigerator	Fridge-freezer	Fridge-freezer	Fridge-freezer	Fridge-freezer
SCMD362NF	SCCB347DNF3	SCCB336DNF2	SCCB315DNF2	SCCB320NF
A++/E	A+++/D	A++/E	A++/E	A+/F
362	347	347	323	327
237	243	243	219	221
125	104	104	104	106
No Frost	No Frost	No Frost	No Frost	No Frost
Yes	Yes	Yes	Yes	Yes
No Frost	No Frost	No Frost	No frost	No frost
Yes	Yes	Yes	Yes	Yes
Stainless steel	Stainless steel	Stainless steel	Stainless steel	Stainless steel
3	3	3	3	4
Glass	Glass	Glass	Glass	Glass
-	-	-	-	-
4	3	3	3	3
1	2	2	2	1
	1	1	1	
LED	LED	LED	LED	LED
Yes, on the front	Yes, on the front	Yes, on the front	Yes, on the front	-
-	-	-	-	-
Yes	Yes	Yes	Yes	-
Yes	Yes	Yes	Yes	Yes
Yes	Yes	Yes	Yes	Yes
10	6	6	6,4	5
10	11	11	10,5	11
No	Yes	Yes	Yes	Yes
Yes	Yes	Yes	Yes	Yes
SN-ST	SN-T	SN-ST	SN-ST	SN-ST
39/C	39/C	40/C	40/C	40/C
Inverter	Inverter	Classic	Classic	Classic
110	140	110	110	110
50	50	50	50	50
0.898	0.556	0.696	0,682	0,858
262	203	254	249	313
80 x 180 x 62	60 x 193.5 x 67	60 x 193.5 x 67	60 x 185 x 69	60 x 185 x 69
85.7 x 191 x 66.5	64 x 202.6 x 71.5	64 x 202.6 x 71.5	64 x 193.1 x 71.5	64 x 193. x 71.5
79	67	67	66	66
87	73	73	72	72
57	71	71	72	72
3527570079481	3527570079443	3527570071492	3527570071478	3527570071201
-	-	3527570071508	3527570071485	3527570071218
-	-	-	-	3527570071454



Freestanding cold appliances

Appliance type	Fridge-freezer	2-door refrigerator	2-door refrigerator
Reference	SCCB285NF	SCDD528NF2	SCDD420NF2
Old/new energy efficiency class	A/F+	A++/E	A++/E
Total net volume (L)	293	528	415
Refrigerator volume (L)	210	411	321
Freezer volume (4*) (L)	83	117	94
Refrigerator cooling type	No Frost	No Frost	No Frost
Auto-defrost	Yes	Yes	Yes
Freezer cooling type	No frost	No Frost	No frost
Auto-defrost	Yes	Yes	Yes
Interior finish	-	Stainless steel	Stainless steel
Number of shelves	4	3	3
Shelf types	Glass	Glass	Glass
Bottle rack	-	-	-
Number of door shelves	3	3	3
Number of vegetable crisper drawers	1	1	2
including a Chef Zone 0-3°C	-	-	-
Humidity control	-	Yes	Yes
Interior lighting	LED	LED	LED
Digital display	-	Yes, on the front	Yes, on the front
Water/ice dispenser	-	-	-
Holiday function	-	Yes	Yes
Super chill/super freeze function	-	Yes	Yes
Open door alarm	Yes	Yes	Yes
Freezing capacity (kg/24h)	3.8	5.4	4.4
Autonomy in case of power failure (h)	8.5	13	14
Reversible doors	Yes	Yes	Yes
Adjustable front feet	Yes	Yes	Yes
Climate class	N-ST	N/ST/T	N/ST
Noise level (dB(A)/Noise class)	40/C	39/C	39/C
Motor type	Classic	Inverter	Inverter
Power (W)	110	140	140
Frequency (Hz)	50	50	50
Energy consumption (kWh/24h)	0.797	0.742	0.668
Annual energy consumption (kWh/year)	291	271	244
Product dimensions (W x H x D) (cm)	60 x 185.8 x 60	79.5 x 183.5 x 71	70.5 x 178 x 68.2
Dimensions with packaging (W x H x D) (cm)	65 x 193.9 x 63.5	83.5 x 191.4 x 74.2	74.1 x 186 x 71.5
Net weight (Kg)	58	83	70
Gross weight (Kg)	63	90	77
Quantity per container 40' (units)	72	56	66
Code EAN Stainless steel (X)/(IX)	3527570071430	3527570080708	3527570071348
EAN Code Dark Stainless Steel (DAX)	3527570071447	-	3527570071805
EAN Code White (W)	3527570071423	-	-
EAN Code Silver (S)	-	-	-

CONTEMPORAINE

2-door refrigerator	2-door refrigerator	Table Top	SIDE BY SIDE Freezer	SIDE BY SIDE Refrigerator
SCDD308	SCDD205	SCTT102 (4)	SCCA274NF	SCOD360NF
A+/F	A+/F	A+/F	A++/E	A++/E
304	206	102	274	359
229	169	88	-	359
75	37	14	274	
Static	Static	Static	-	No Frost
Yes	Yes	Automatic	-	Yes
Static	Static	Static	No Frost	-
Manual	Manual	Manual	Yes	-
-	-	-	Stainless steel	Stainless steel
3	3	3	3	3
Glass	Glass	Glass	Glass	Glass
-	-	-	-	Yes
3	3	3	2	4
1	1	1	2 + 2 trays	3
-	-	-	-	1
-	-	-	-	1
LED	LED	LED	LED	LED
-	-	-	Yes, on the front	Yes, On the front
-	-	-	Twist & Ice	-
-	-	-	Yes	Yes
-	-	-	Yes	Yes
Yes	Yes	Yes	Yes	Yes
3.4	2.4	2.4	17	-
20	13,5	7	9	-
Yes	Yes	Yes	Yes	Yes
Yes	Yes	Yes	Yes	Yes
N-ST	N-ST	N-ST	SN-T	SN/T
40/C	40/C	40/C	39/C	40/C
Classic	Classic	Classic	Inverter	Inverter
105	100		140	100
50	50	50	50	50
0.73	0.589	0.476	0.674	0.323
268	215	174	246	118
60.5 x 172 x 60	54.5 x 143 x 55.5	50 x 84 x 56	59.5 x 185 x 65	59.5 x 185 x 65
65 x 181 x 63.5	57.5 x 147 x 59	52 x 88.5 x 60	64 x 193.1 x 69	64 x 193.1 x 69
50	38	26	68	64
55	42	28	74	70
73	143	254	72	72
3527570071843	3527570071829	-	3527570079504	3527570079375
-	-	-	3527570079511	3527570079382
3527570071836	3527570071812	3527570076848	-	-
-	-	3527570076855	-	-



Freestanding cold appliances

Appliance type	French door	Fridge-freezer	2 doors
Collection	BLACK MAT	BLACK MAT	BLACK MAT
Reference	SCFD558NFB	SCB315NFB	SDD260B
Old/new energy efficiency class	A++/E	A+/F	A+/F
Total net volume (L)	531	326	258
Climate class	N-ST	N-ST	N-ST
Noise level (dB(A)/Noise class	41/C	41/C	41/C
Motor type	Classic	Classic	Classic
"REFRIGERATOR Refrigerator volume (L)"	345	226	206
Refrigerator cooling type	NoFrost	No-Frost	Static
Auto-defrost	Yes	Yes	Yes
Interior finish	Stainless steel	Inox	Stainless steel
Number of shelves	3	2	3 + 1 (freezer)
Shelf types	Glass	Glass	Glass
Bottle rack	-	1	-
Number of door shelves	8	3	3
Number of vegetable crisper drawers	2	1	1
Interior lighting type	Double LED side lights	Double LED side lights	LED
Holiday function	Yes	Yes	-
Open door alarm (refrigerator)	Yes	Yes	-
"FREEZER Freezer volume (4*) (L)"	186	100	52
Freezer cooling type	NoFrost	NoFrost	Static
Auto-defrost	Yes	Yes	Manual
Freezing capacity (kg/24h)	8,5	4,5	3
Autonomy in case of power failure (h)	11	15	14
Reversible doors	-	Yes	Yes
Adjustable front feet	Yes	Yes	Yes
Voltage (V)	220-240 V	220-240 V	220-240 V
Frequency (Hz)	50	50	50
Energy consumption (kWh/24h)	0.857	0.79	0.65
Annual energy consumption (kWh/year)	313	289	237
Refrigerant gas	R600a	R600a	R600a
Colour	Black mat	Black mat	Black mat
Product dimensions (W x H x D) (cm)	83.3 x 182 x 70.6	59 x 185.2 x 66	54.5 x 170 x 58.3
Dimensions with packaging (W x H x D) (cm)	90.8 x 192.5 x 71.2	63.6 x 194.2 x 72.2	57.5 x 174 x 62.5
Net weight (kg)	104	72	52
Gross weight (kg)	114	75	57
Quantity per container 40' (units)	52	66	96
EAN Code Black mat (B)	3527570079139	3527570052583	3527570052507

Freestanding cold appliances

Appliance type	Multi-door	American	Fridge-freezer
Collection	GLASS DOOR	GLASS DOOR	GLASS DOOR
Reference	SCMD564NFGL	SCUS550NFGL	SCB250NFGL
Old/new energy class	A++/E	A+/F	A+/F
Total net volume (L)	564	556	250
Climate class	SN-T	SN-ST	SN-ST
Noise level (dB(A)/Noise class	41/C	41/C	41/C
Motor type	Inverter	Inverter	Classic
"REFRIGERATOR Refrigerator volume (L)"	363	373	180
Refrigerator cooling type	NoFrost	NoFrost	NoFrost
Auto-defrost	Yes	Yes	Yes
Interior finish	Silver	Silver	Silver
Number of shelves	3	3	3
Shelf types	Glass	Glass	Glass
Bottle rack	-	-	-
Number of door shelves	6	6	3
Number of vegetable crisper drawers	2	2	1
Interior lighting type	LED	LED	LED
Holiday function	Yes	Yes	-
Open door alarm (refrigerator)	Yes	Yes	-
"FREEZER Freezer volume (4*) (L)"	201	183	70
Freezer cooling type	Nofrost	Nofrost	NoFrost
Auto-defrost	Yes	Yes	Yes
Freezing capacity (kg/24h)	14	8	3,5
Autonomy in case of power failure (h)	12	6	9
Reversible doors	No	No	Yes
Adjustable front feet	Yes	Yes	Yes
Voltage (V)	220-240 V	220-240 V	220-240 V
Frequency (Hz)	50	50	50
24h Energy consumption (kWh)	0.882	1.15	0,75
Annual energy consumption (kWh/year)	322	420	274
Refrigerant gas	R600a	R600a	R600a
Colour	White/Black	White/Black	White/Black/ silver
Product dimensions (W x H x D) (cm)	91.1 x 183 x 70.6	91.1x178 x70.6	54,5 x 180 x 58
Dimensions with packaging (W x H x D) (cm)	96.8x189.5x75	98.1x184.5 x 75.7	58 x 185 x 63
Net weight (kg)	107	103	55
Gross weight (kg)	118	11	60
Quantity per container 40' (units)	36	40	96
Code EAN Noir (B)	3527570079306	3527570059940	3527570052606
EAN Code White (W)	3527570079313	3527570059933	3527570052613
EAN Code Silver (S)	-	-	3527570058561



Freestanding cold appliances

Appliance type	Fridge-freezer	Fridge-freezer	Fridge-freezer
Reference	SCB315VNF	SCB300V	SCCB250V
Old/new energy efficiency class	A++/E	A++/E	A++/E
Total net volume (L)	326	304	249
Refrigerator volume (L)	226	211	180
Freezer volume (4*) (L)	100	93	69
Refrigerator cooling type	No-Frost	Airflow	Static
Auto-defrost	Yes	Yes	Yes
Freezer cooling type	NoFrost	Static	Static
Auto-defrost	Yes	Manual	Manual
Interior finish	Stainless steel	Stainless steel	Stainless steel
Number of shelves	2	3	3
Shelf types	Glass	Glass	Glass
Bottle rack	1	1	-
Number of door shelves	3	4	4
Number of vegetable crisper drawers	1	1	1
Humidity control	Yes	-	-
ChefZone drawer 0-3°C	Yes	-	-
Interior lighting type	Double LED side lights	LED	LED
Holiday function	Yes	-	-
Open door alarm	Yes	-	-
Freezing capacity (kg/24h)	4,5	3	3
Autonomy in case of power failure (h)	19	10	17
Reversible doors	-	-	-
Adjustable front feet	Yes	Yes	Yes
Climate class	N-ST	N-ST	N-ST
Noise level (dB(A)/Noise class	41/C	39/C	39/C
Voltage (V)	220-240	220-240	220-240
Frequency (Hz)	50	50	50
24h Energy consumption (kWh)	0,68	0,63	0,57
Annual energy consumption (kWh/year)	249	231	209
Product dimensions (W x H x D) (cm)	59.6 x 192.5 x 70.5	59.5 x 189.9 x 64.5	54.5 x 181.5 x 62.6
Dimensions with packaging (W x H x D) (cm)	65.4 x 198 x 74.8	65 x 196.9 x 67.5	57.5 x 186.3 x 66.5
Net weight (kg)	78	71	54
Gross weight (kg)	85	76	59
Quantity per container 40' (units)	66	69	96
EAN Code Black mat(B)	3527570052880	3527570052859	3527570069512
EAN Code Red (R)	-	3527570052842	3527570069529
EAN Code Cream (CR)	-	3527570059971	3527570069536
EAN Code Almond Green (VA)	-	3527570069482	3527570069543
EAN Code Bordeaux Mat (WR)	-	3527570052873	-
EAN Code Blue (BL)	-	3527570052866	3527570069550
EAN Code Pink (P)	-	-	3527570069567

The doors in the FEELING'S collection have an offset of 4cm without a handle, and 9cm with a handle. This door is 7-cm thick..

2-door refrigerator	2-door refrigerator	All-purpose refrigerator	1-door refrigerator	Table Top refrigerator
SCDD208V	SCDD309V	SCCL329V	SCCL222V	SCTT115V
A++/E	A++/E	A++/E	A++/E	A++/E
211	302	337	229	109
172	227	337	211	94
39	75	-	18	15
Static	Airflow	Airflow	Static	Static
Yes	Yes	Yes	Yes	Manual
Static	Static	-	Static	Static
Manual	Manual	-	Manual	Manual
Stainless steel	Stainless steel	Stainless steel	Stainless steel	
3 + 1 (freezer)	3 + 1 (freezer)	5	3	2
Glass	Glass	Glass	Glass	Glass
-		-	-	-
5	3	4	4	3
1	1	1	1	1
-	-	-	-	
-	-	-	-	
LED	LED	LED	LED	LED
-	-	-	-	
-	-	-	-	
2	3,4	-	2	2
10	15	-	6	8
-	-	-	-	-
Yes	Yes	Yes	Yes	Yes
N-ST	N-ST	N-ST	N-ST	N-ST
40/C	39/C	40/C	40/C	39/C
220-240	220-240	220-240	220-240	220-240
50	50	50	50	50
0.47	0.59	0.39	0,41	0.39
174	214	144	151	141
54.5 x 149.7 x 63.8	60 x 181 x 65	60 x 181 x 65	54.6 x 149.7 x 62.6	54 x 87.3 x 62.8
59.5 x 154.5 x 66.5	64 x 186.4 x 67.5	64 x 186.5 x 67.5	57.5 x 155.5 x 66.5	57.5 x 91.8 x 66.5
51	50	61	47	33
55	55	68	51	35
101	70	70	101	194
3527570069765	3527570077067	3527570081095	3527570069727	3527570078996
3527570069772	3527570077081	3 527570081125	3527570069734	3527570079023
3527570069789	3527570077074	3 527570081118	3527570070983	3527570079016
3527570069796	-	-	3527570069741	-
-	3527570077098	-	-	-
3527570069802	-	3527570081101	-	3527570079009
3527570069819	-	-	-	-

Wine cellars

Appliance type	Wine cellar	Wine cellar	Wine cellar
Reference	SCCVEL6240	SCCVEF6246	SCCVEF3120
Installation type	Built-in/Freestanding	Built-in/Freestanding	Built-in/Freestanding
Old/new energy efficiency class	B / G	A / F	A / F
Capacity (bottles)	40	46	20
Net volume (litres)	112	129	56
Thermostat	Electronic	Electronic	Electronic
Digital temperature display	Yes	Yes	Yes
Compressor	Yes	Yes	Yes
Number of shelves	10 sliding wooden shelves	5 sliding wooden shelves	4 sliding wooden shelves
Noise level (dB)/noise class	41 / C	41 / C	41 / C
Use	Temperature control	Temperature control	Temperature control
Number of temperature zones	2	2	1
Colour of handle	Stainless steel	Stainless steel	Stainless steel
Temperature range	5 - 20 °C	5 - 22 °C	5 - 20 °C
Door treated with anti-UV protection	Yes	Yes	Yes
Adjustable feet (mm)	45	45	45
LED interior lighting (W)	2 x 0.5	1	1
Reversible door	-	Yes	Yes
Annual energy consumption (kWh/year)	157	105	98
Gas type	R600a	R600a	R600a
Climate class	N-ST	N-ST	N-ST
Alarm	High temperature	High temperature	High temperature
Control panel lock	Yes	Yes	Yes
Power (W)	70	70	65
Voltage (V), Frequency (Hz)	220-240, 50	220-240, 50	220-240, 50
Product dimensions (HxLxP)	82.5 x 59.5 x 57	82.5 x 59.5 x 57	82.5 x 29.5 x 57
Built-in dimensions (HxLxP) (cm)	82.5 x 60 x 57.5	82.5 x 60 x 57.5	82.5 x 30 x 57.5
Dimensions with packaging (HxLxP) (cm)	88 x 66 x 62.5	88 x 66 x 62.5	86.5 x 32.5 x 62.5
Net weight (kg)	46,5	45	31
Gross weight (kg)	51	51	33
Quantity per container 40'HC (units)	171	171	397
Cable length (cm), with plug	150	150	150
EAN Code	3527570077418	3527570077401	3527570077395



Wine cellar	Wine cellar	Wine cellar	Wine cellar
SCCVI602BK	SCCVI602BS	SCCVI451BK	SCCVI451BS
Built-in	Built-in	Built-in	Built-in
A / G	A / G	A / F	A / F
36	36	28	28
85	85	62	62
Electronic	Electronic	Electronic	Electronic
Yes	Yes	Yes	Yes
Yes	Yes	Yes	Yes
3 sliding wooden shelves	3 sliding wooden shelves	2 sliding wooden shelves	2 sliding wooden shelves
41 / C	41 / C	41 / C	41 / C
Temperature control	Temperature control	Temperature control	Temperature control
2	2	1	1
Stainless steel	Dark Stainless steel	Stainless steel	Dark Stainless steel
5 - 22 °C	5 - 22 °C	5 - 20 °C	5 - 20 °C
Yes	Yes	Yes	Yes
8	8	8	8
1	1	1	1
Yes	Yes	Yes	Yes
140	140	99	99
R600a	R600a	R600a	R600a
N-ST	N-ST	N-ST	N-ST
High temperature alarm	High temperature alarm	High temperature alarm	High temperature alarm
Yes	Yes	Yes	Yes
65	65	65	65
220-240, 50	220-240, 50	220-240, 50	220-240, 50
59.5 x 59 x 56.3	59.5 x 59 x 56.3	45.5 x 59 x 56.3	45.5 x 59 x 56.3
59 x 56 x 55	59 x 56 x 55	45 x 56 x 55	45 x 56 x 55
65.5 x 65 x 65	65.5 x 65 x 65	51 x 65 x 65	51 x 65 x 65
34	34	26,5	26,5
37	37	30	30
216	216	269	269
150	150	150	150
3527570080326	3527570080319	3527570080302	3527570080296



SCHNEIDER CONSUMER | SERVICES

Our after-sales service is at your disposal

*From Monday to Friday from 8.30am to 7pm
and Saturday from 8.30am to 1pm.*

 **+33 (0) 4 88 78 59 99**

(SFG call centre)

A subsidiary of the Schneider Consumer Group, founded in 2005, Schneider Consumer Services manages the after-sales service of the Schneider brand. Specialised technicians for each product family are responsible for repairing all our products, whether under or out of warranty. To ensure optimal quality, Schneider Consumer Services is also tasked with analysing all breakdowns to improve the design of Schneider's appliances.

***Do you have a question about our products?
Our customer service team will respond
to you as quickly as possible.***

info@schneiderconsumer.com





12, rue Jules Ferry - 93110 Rosny-sous-Bois - FRANCE
Tel : +33 (0) 1 48 12 14 14 - Fax : +33 (0) 1 48 12 14 12